

# FIRE PROTECTION GUIDE STEEL

Glue free system

## DETERMINE THE NEEDED FIRE RESISTANCE PERIOD

The fire resistance requirement for a building is defined in terms of fire resistance period and stated in terms of minutes (15, 30, 45, 60, 75, 90 or 120 minutes). This information is usually given in local building regulations and it depends on the height, occupants and type of the building. In practice it means the building frame has to maintain its load bearing capacity during the fire until everybody has left the burning building. It is the responsibility of the design engineer, using design codes such as EN1993-1-2, to specify the appropriate limiting or failure temperature for a given section.

Different load bearing materials have different fire resistance periods. These materials are usually tested by using

a standard fire curve which demonstrates development of real fire. The temperature in a standard fire rises rather quickly and then increases indefinitely.

Fire resistance test results are expressed in terms of time of failure against one or more of three criteria:

- Load bearing capacity (R)
- Integrity (passage of hot gases/flames) (E)
- Insulation (temperature raise on the cold side of the structural element, usually max.140 °C) (I)

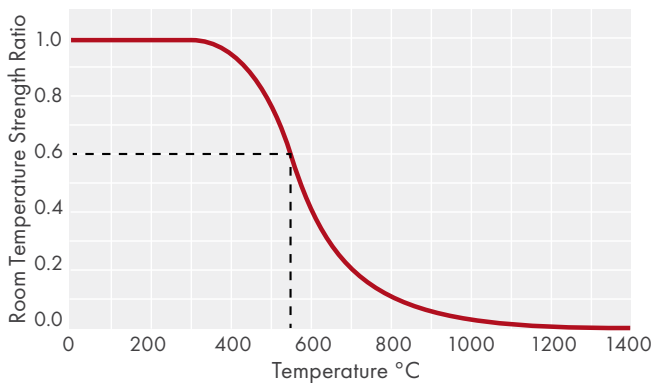
In some building constructions all of these are needed but for the steel frames only load bearing capacity is required.

## DETERMINE CRITICAL TEMPERATURE AND THE SECTION FACTOR OF THE STEEL

All materials lose their strength as they get hot.

- A fully loaded steel beam exposed on four sides, fails at 550 °C, regardless of steel grade.
- Fully loaded beam exposed on three sides, fails at 620 °C.  
⇒ Temperature 450 °C is commonly used as a rather safe limit value.

*Fires in buildings regularly exceed 1000 degrees centigrade within a relatively short period of time (30–60 minutes), yet heavily loaded steel loses its design margin of safety, about 40% at temperatures around 550°C regardless of the grade. As the temperature rises further the loss of strength is rapid and significant.*



The design of fire protection is therefore based on this limiting temperature for elements exposed to fire on four sides. The aim is to keep steel temperature below its critical temperature.

The rate of increase in temperature of a steel cross-section is determined by the ratio of the heated surface area ( $A_m$ ) to the volume ( $V$ ). This ratio, ( $A_m / V$ ), has units of  $m^{-1}$  and is known as the section factor. Members with low section factors will heat up more slowly. The section factor is thus a measure of the rate at which a section will heat up in a fire and the higher its value, the greater will be the protection thickness required.

*A steel section with a large surface area ( $A$ ) ( $m^2/m$ ) will receive more heat than one with a smaller surface area. Also, the greater the volume ( $V$ ) ( $m^3/m$ ) of the section, the greater is the heat sink. It follows therefore, that a small thick section will be slower to increase in temperature than a large thin one.*

Large  $A$   
Small  $V$   
⇒ fast heating



Small  $A$   
Large  $V$   
⇒ slow heating



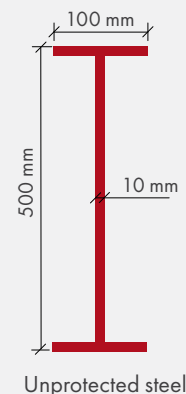
In calculating the section factor values the full volume,  $V$ , is used whether the section is exposed on three or four sides as the entire steel section will be receiving heat.  $A$ , however, is the exposed surface area and that depends on the configuration of the fire protection.

### Example of calculating section factor $A_m/V$

- Surface area ( $A_m$ ) of one metre long beam is 1,38  $m^2$
- Volume ( $V$ ) of one metre long beam is 0,0068  $m^3$

$$A / V = 1,38 / 0,0068 = 203 \text{ m}^{-1}$$

Section factors vary generally from 25  $m^{-1}$  for very large sections to over 300  $m^{-1}$  for small, slender sections.

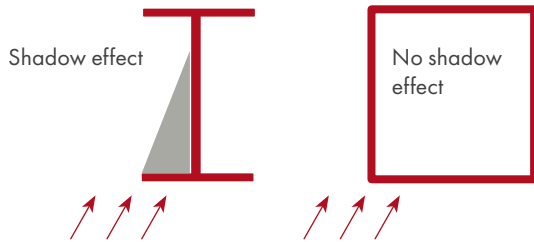


Unprotected steel

**SHADOW EFFECT**

In case of unprotected steel profiles, a section factor including the shadow effect can be considered. Shadow effect is caused by local shielding of irradiative heat transfer, due to shape of steel profile, e.g.

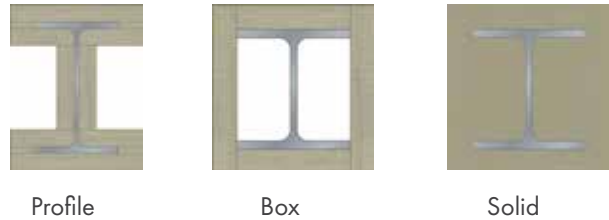
- I-profiles:  $k_{shadow} = 0,9 [A_m / V]_{box} / [A_m / V]$
- □-profiles:  $k_{shadow} = 1$
- Insulated profiles = 1 (all)



Whilst the section factor can be calculated it is more usual to refer to different steel manufacturers' profile information where this value is given.

**DETERMINE PROTECTION METHOD**

The most practical way to limit the rise in steel temperature is to insulate it from the fire. In considering any fire protection system it is important to distinguish between profile, box and solid methods of application.



Sprayed materials would normally be applied to follow the profile of the section. Special insulating concretes can be used to form solid protection. Board materials would normally be used to form a box around the section or with higher profiles following the profile.

The type of insulation has to be taken into account when designing steel structures because also insulation conducts heat. In case of protected members the section factor  $A_p / V$  is multiplied by a factor, for the thermal conductivity of the protection material, divided by its thickness  $\lambda_p / d_p$ .

$$(A_p / V) \times (\lambda_p / d_p)$$

**Summary:**

**The thickness of fire protection insulation needed depends on**

- Duration of fire resistance specified in national regulations (R30, R60, R90, R120...)
- Critical temperature and the section factor of the steel
  - Perimeter of steel section exposed to fire (A)
  - Shape and size of steel section (total volume, V)
- Type of protection used

# PAROC FIRE SAFE SYSTEM – PAROC FPS 17

Design tools for prediction of stone wool fire protection board thickness have been made for 30–120 minutes endurance time in a Standard Fire Exposure (R30–R120) for open and closed (I/H and CHS/RHS sections) steel sections.

Based on graphical or tabulated design values PAROC FPS 17 board thickness can be chosen as a function of

- fire endurance time,
- section factor  $A/V$  for the member and
- Critical steel temperature ranging from 350–700°C  
 CHS = circular hollow section  
 RHS = rectangular hollow section

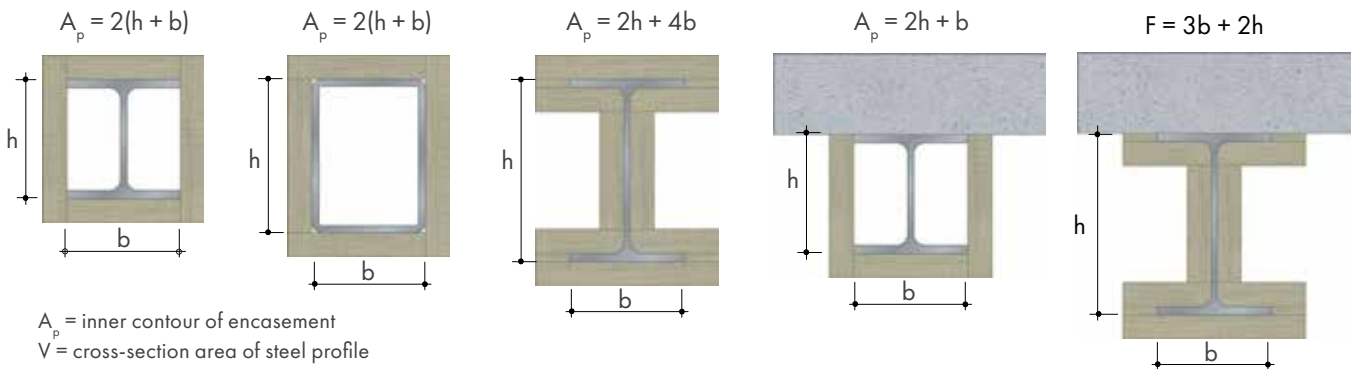
In case of "box" protection, the surface area is taken as the sum of the inside dimensions of the smallest possible rectangular or square encasement except in the case of circular hollow sections, where the air space created by boxing a circular section improves the insulation, allowing reduced material thicknesses.

## $A_p/V$ – SECTION FACTOR FOR PROTECTED MEMBERS

Section factor for insulated steel members:

$$(m^{-1}) = A/V$$

When I profiles have a greater height than 450 mm the insulation shall be installed following the profile.



## Calculation example

Steel beam, encased on three sides

- Serial size: 406 mm x 178mm x 54 kg/m
- Actual size: 402,6 mm x 177,6 mm
- $V = 0,00684 m^3$

$$A = 2h + b \rightarrow 402,6 + 402,6 + 177,6 = 982,8 \text{ mm} \times 1000 \text{ mm} = 0,9828 \text{ m}^2$$

$$A/V = 0,9828 \text{ m}^2 / 0,00684 \text{ m}^3 = 143,7 \text{ m}^{-1} = \mathbf{144 \text{ m}^{-1}}$$

or

If the mass per metre is known then the  $A/V$  value can be calculated:

$$A/V = (\rho \times A)/W = 7850 \text{ kg/m}^3 \times 0,9828 \text{ m}^2 / 54 \text{ kg/m} = \mathbf{143 \text{ m}^{-1}}$$

$W$  = Mass of steel section per metre (kg/m)

(Nominal density of steel is 7850 kg/m<sup>3</sup>, The value of  $W$  can be obtained either from steelwork tables or by accurate measurement.)

Once the specific  $A/V$  value is known, the required thickness of the PAROC FPS 17 board for the defined fire protection can be found from the  $A/V$  tables.

You can also use ready-calculated  $A_p/V$  values from the profile manufacturers:

- 1 Find the section factor  $A_p/V$  by using data for the steel profile from the steel supplier. For example section factor for four sides exposed HE 140 B profile is  $130 \text{ m}^{-1}$
- 2 In the following figures you can find the fire class and the needed thickness of insulation. Choose the table based on critical temperature, check the needed fire resistance time and read the PAROC FPS 17 thickness from the section factor row. For example if critical temperature for the steel profile is  $450^\circ\text{C}$  and required fire resistance time 60 minutes, you need 20 mm PAROC FPS 17 fire protection for the section factor  $130 \text{ m}^{-1}$

| HEA-profile                    |                                | HEB-profile                    |                                | HEM-profile                    |                                |          |    |    |
|--------------------------------|--------------------------------|--------------------------------|--------------------------------|--------------------------------|--------------------------------|----------|----|----|
| a                              | b                              | c                              | d                              | e                              | f                              |          |    |    |
|                                |                                |                                |                                |                                |                                |          |    |    |
| a                              | b                              | c                              | d                              | e                              | f                              |          |    |    |
| $A_p/V$<br>( $\text{m}^{-1}$ ) | $A_p/V$<br>( $\text{m}^{-1}$ ) | $A_p/V$<br>( $\text{m}^{-1}$ ) | $A_p/V$<br>( $\text{m}^{-1}$ ) | $A_p/V$<br>( $\text{m}^{-1}$ ) | $A_p/V$<br>( $\text{m}^{-1}$ ) |          |    |    |
| HE 100 A                       | 184                            | 138                            | HE 100 B                       | 154                            | 115                            | HE 100 M | 85 | 65 |
| HE 120 A                       | 185                            | 137                            | HE 120 B                       | 141                            | 106                            | HE 120 M | 80 | 61 |
| HE 140 A                       | 174                            | 129                            | HE 140 B                       | 130                            | 98                             | HE 140 M | 76 | 58 |
| HE 160 A                       | 161                            | 120                            | HE 160 B                       | 118                            | 89                             | HE 160 M | 71 | 54 |
| HE 180 A                       | 155                            | 115                            | HE 180 B                       | 110                            | 83                             | HE 180 M | 68 | 52 |
| HE 200 A                       | 145                            | 108                            | HE 200 B                       | 103                            | 77                             | HE 200 M | 65 | 49 |
| HE 220 A                       | 134                            | 100                            | HE 220 B                       | 97                             | 73                             | HE 220 M | 62 | 47 |
| HE 240 A                       | 122                            | 91                             | HE 240 B                       | 91                             | 68                             | HE 240 M | 52 | 40 |
| HE 260 A                       | 118                            | 88                             | HE 260 B                       | 88                             | 66                             | HE 260 M | 51 | 39 |
| HE 280 A                       | 113                            | 84                             | HE 280 B                       | 85                             | 64                             | HE 280 M | 50 | 38 |
| HE 300 A                       | 105                            | 78                             | HE 300 B                       | 81                             | 60                             | HE 300 M | 43 | 33 |
| HE 320 A                       | 98                             | 74                             | HE 320 B                       | 77                             | 58                             |          |    |    |
| HE 340 A                       | 94                             | 72                             | HE 340 B                       | 75                             | 57                             |          |    |    |
| HE 360 A                       | 91                             | 70                             | HE 360 B                       | 73                             | 57                             |          |    |    |
| HE 400 A                       | 87                             | 68                             | HE 400 B                       | 71                             | 56                             |          |    |    |
| HE 450 A                       | 83                             | 66                             | HE 450 B                       | 69                             | 55                             |          |    |    |
| HE 500 A                       | 80                             | 65                             | HE 500 B                       | 67                             | 55                             |          |    |    |
| HE 550 A                       | 79                             | 65                             | HE 550 B                       | 67                             | 55                             |          |    |    |
| HE 600 A                       | 79                             | 65                             | HE 600 B                       | 67                             | 56                             |          |    |    |
| HE 650 A                       | 79                             | 65                             | HE 650 B                       | 66                             | 56                             |          |    |    |

**INSULATION THICKNESS FOR PAROC FPS 17 (mm)  
CRITICAL STEEL TEMPERATURE  $450^\circ\text{C}$**

| $A_p/V$ | Fire resistant time minutes |    |    |     |     |     |     |
|---------|-----------------------------|----|----|-----|-----|-----|-----|
|         | 30                          | 60 | 90 | 120 | 150 | 180 | 210 |
| 50      | 20                          | 20 | 20 | 25  | 40  | 40  | 50  |
| 60      | 20                          | 20 | 20 | 30  | 40  | 50  | 60  |
| 70      | 20                          | 20 | 20 | 40  | 50  | 60  |     |
| 80      | 20                          | 20 | 25 | 40  | 50  |     |     |
| 90      | 20                          | 20 | 25 | 40  | 60  |     |     |
| 100     | 20                          | 20 | 30 | 50  |     |     |     |
| 110     | 20                          | 20 | 40 | 50  |     |     |     |
| 120     | 20                          | 20 | 40 | 60  |     |     |     |
| 130     | 20                          | 20 | 40 | 60  |     |     |     |
| 140     | 20                          | 20 | 40 | 60  |     |     |     |
| 150     | 20                          | 20 | 50 |     |     |     |     |
| 160     | 20                          | 25 | 50 |     |     |     |     |
| 170     | 20                          | 25 | 50 |     |     |     |     |
| 180     | 20                          | 25 | 50 |     |     |     |     |
| 190     | 20                          | 25 | 50 |     |     |     |     |
| 200     | 20                          | 25 | 50 |     |     |     |     |
| 210     | 20                          | 30 | 60 |     |     |     |     |
| 220     | 20                          | 30 | 60 |     |     |     |     |
| 230     | 20                          | 30 | 60 |     |     |     |     |
| 240     | 20                          | 30 | 60 |     |     |     |     |
| 250     | 20                          | 30 | 60 |     |     |     |     |

**ETA approved !**

Given insulation thicknesses on the tables are based on designed program of fire tests on both loaded and unloaded specimens and a mathematical procedure applied to the results of the tests. Test programs were designed to determine both the insulation characteristics of a fire protection material and its physical performance under fire conditions for a range of steel sizes. Steel sections protected with PAROC FPS 17 were tested and calculated according to EN 13501-2 and ENV 13381-4:2002 in Sintef NBL, Norway. This system has European Technical Approval issued by VTT Expert Services.

**OPEN AND CLOSED STEEL SECTIONS**

**CRITICAL TEMPERATURE  $350^\circ\text{C}$**  Multiple R 0,998273  $\alpha_0 = 0$   $R^2$  0,99655  $K_{MOD} = 0,97$

| $A_p/V$ | Fire resistant time minutes |    |    |     |     |     |     |
|---------|-----------------------------|----|----|-----|-----|-----|-----|
|         | 30                          | 60 | 90 | 120 | 150 | 180 | 210 |
| 50      | 20                          | 20 | 20 | 40  | 50  | 60  |     |
| 60      | 20                          | 20 | 25 | 40  | 50  |     |     |
| 70      | 20                          | 20 | 30 | 50  | 60  |     |     |
| 80      | 20                          | 20 | 40 | 50  |     |     |     |
| 90      | 20                          | 20 | 40 | 60  |     |     |     |
| 100     | 20                          | 20 | 40 | 60  |     |     |     |
| 110     | 20                          | 25 | 50 |     |     |     |     |
| 120     | 20                          | 25 | 50 |     |     |     |     |
| 130     | 20                          | 30 | 50 |     |     |     |     |
| 140     | 20                          | 30 | 50 |     |     |     |     |
| 150     | 20                          | 30 | 60 |     |     |     |     |
| 160     | 20                          | 40 | 60 |     |     |     |     |
| 170     | 20                          | 40 | 60 |     |     |     |     |
| 180     | 20                          | 40 | 60 |     |     |     |     |
| 190     | 20                          | 40 |    |     |     |     |     |
| 200     | 20                          | 40 |    |     |     |     |     |
| 210     | 20                          | 40 |    |     |     |     |     |
| 220     | 20                          | 40 |    |     |     |     |     |
| 230     | 20                          | 40 |    |     |     |     |     |
| 240     | 20                          | 40 |    |     |     |     |     |
| 250     | 20                          | 40 |    |     |     |     |     |

**CRITICAL TEMPERATURE  $400^\circ\text{C}$**  Multiple R 0,998041  $\alpha_0 = 0$   $R^2$  0,996085  $K_{MOD} = 0,97$

| $A_p/V$ | Fire resistant time minutes |    |    |     |     |     |     |
|---------|-----------------------------|----|----|-----|-----|-----|-----|
|         | 30                          | 60 | 90 | 120 | 150 | 180 | 210 |
| 50      | 20                          | 20 | 20 | 25  | 40  | 50  | 60  |
| 60      | 20                          | 20 | 20 | 40  | 50  | 60  |     |
| 70      | 20                          | 20 | 25 | 40  | 50  |     |     |
| 80      | 20                          | 20 | 30 | 50  | 60  |     |     |
| 90      | 20                          | 20 | 30 | 50  |     |     |     |
| 100     | 20                          | 20 | 40 | 60  |     |     |     |
| 110     | 20                          | 25 | 40 | 60  |     |     |     |
| 120     | 20                          | 25 | 40 | 60  |     |     |     |
| 130     | 20                          | 25 | 40 |     |     |     |     |
| 140     | 20                          | 25 | 50 |     |     |     |     |
| 150     | 20                          | 25 | 50 |     |     |     |     |
| 160     | 20                          | 25 | 50 |     |     |     |     |
| 170     | 20                          | 30 | 50 |     |     |     |     |
| 180     | 20                          | 30 | 60 |     |     |     |     |
| 190     | 20                          | 30 | 60 |     |     |     |     |
| 200     | 20                          | 30 | 60 |     |     |     |     |
| 210     | 20                          | 40 | 60 |     |     |     |     |
| 220     | 20                          | 40 | 60 |     |     |     |     |
| 230     | 20                          | 40 | 60 |     |     |     |     |
| 240     | 20                          | 40 |    |     |     |     |     |
| 250     | 20                          | 40 |    |     |     |     |     |

**CRITICAL TEMPERATURE 450°C** Multiple R 0,997913  $\alpha_0 = 0$  R<sup>2</sup> 0,99583 K<sub>MOD</sub> = 0,97

| A <sub>p</sub> / V | Fire resistant time minutes |    |    |     |     |     |     |
|--------------------|-----------------------------|----|----|-----|-----|-----|-----|
|                    | 30                          | 60 | 90 | 120 | 150 | 180 | 210 |
| 50                 | 20                          | 20 | 20 | 25  | 40  | 40  | 50  |
| 60                 | 20                          | 20 | 20 | 30  | 40  | 50  | 60  |
| 70                 | 20                          | 20 | 20 | 40  | 50  | 60  |     |
| 80                 | 20                          | 20 | 25 | 40  | 50  |     |     |
| 90                 | 20                          | 20 | 25 | 40  | 60  |     |     |
| 100                | 20                          | 20 | 30 | 50  |     |     |     |
| 110                | 20                          | 20 | 40 | 50  |     |     |     |
| 120                | 20                          | 20 | 40 | 60  |     |     |     |
| 130                | 20                          | 20 | 40 | 60  |     |     |     |
| 140                | 20                          | 20 | 40 | 60  |     |     |     |
| 150                | 20                          | 20 | 50 |     |     |     |     |
| 160                | 20                          | 25 | 50 |     |     |     |     |
| 170                | 20                          | 25 | 50 |     |     |     |     |
| 180                | 20                          | 25 | 50 |     |     |     |     |
| 190                | 20                          | 25 | 50 |     |     |     |     |
| 200                | 20                          | 25 | 50 |     |     |     |     |
| 210                | 20                          | 30 | 60 |     |     |     |     |
| 220                | 20                          | 30 | 60 |     |     |     |     |
| 230                | 20                          | 30 | 60 |     |     |     |     |
| 240                | 20                          | 30 | 60 |     |     |     |     |
| 250                | 20                          | 30 | 60 |     |     |     |     |

**CRITICAL TEMPERATURE 500°C** Multiple R 0,997794  $\alpha_0 = 0$  R<sup>2</sup> 0,995592 K<sub>MOD</sub> = 0,97

| A <sub>p</sub> / V | Fire resistant time minutes |    |    |     |     |     |     |
|--------------------|-----------------------------|----|----|-----|-----|-----|-----|
|                    | 30                          | 60 | 90 | 120 | 150 | 180 | 210 |
| 50                 | 20                          | 20 | 20 | 20  | 30  | 40  | 50  |
| 60                 | 20                          | 20 | 20 | 25  | 40  | 50  | 60  |
| 70                 | 20                          | 20 | 20 | 30  | 40  | 50  |     |
| 80                 | 20                          | 20 | 20 | 30  | 50  | 60  |     |
| 90                 | 20                          | 20 | 25 | 40  | 50  |     |     |
| 100                | 20                          | 20 | 25 | 40  | 60  |     |     |
| 110                | 20                          | 20 | 30 | 50  | 60  |     |     |
| 120                | 20                          | 20 | 30 | 50  |     |     |     |
| 130                | 20                          | 20 | 30 | 50  |     |     |     |
| 140                | 20                          | 20 | 40 | 60  |     |     |     |
| 150                | 20                          | 20 | 40 | 60  |     |     |     |
| 160                | 20                          | 20 | 40 | 60  |     |     |     |
| 170                | 20                          | 20 | 40 | 60  |     |     |     |
| 180                | 20                          | 20 | 40 |     |     |     |     |
| 190                | 20                          | 20 | 50 |     |     |     |     |
| 200                | 20                          | 20 | 50 |     |     |     |     |
| 210                | 20                          | 25 | 50 |     |     |     |     |
| 220                | 20                          | 25 | 50 |     |     |     |     |
| 230                | 20                          | 25 | 50 |     |     |     |     |
| 240                | 20                          | 25 | 50 |     |     |     |     |
| 250                | 20                          | 25 | 50 |     |     |     |     |

**CRITICAL TEMPERATURE 550°C** Multiple R 0,997696  $\alpha_0 = 0$  R<sup>2</sup> 0,995398 K<sub>MOD</sub> = 0,97

| A <sub>p</sub> / V | Fire resistant time minutes |    |    |     |     |     |     |
|--------------------|-----------------------------|----|----|-----|-----|-----|-----|
|                    | 30                          | 60 | 90 | 120 | 150 | 180 | 210 |
| 50                 | 20                          | 20 | 20 | 20  | 25  | 30  | 40  |
| 60                 | 20                          | 20 | 20 | 20  | 30  | 40  | 50  |
| 70                 | 20                          | 20 | 20 | 25  | 40  | 50  | 60  |
| 80                 | 20                          | 20 | 20 | 30  | 40  | 50  |     |
| 90                 | 20                          | 20 | 20 | 30  | 50  | 60  |     |
| 100                | 20                          | 20 | 20 | 40  | 50  |     |     |
| 110                | 20                          | 20 | 25 | 40  | 60  |     |     |
| 120                | 20                          | 20 | 25 | 40  | 60  |     |     |
| 130                | 20                          | 20 | 30 | 50  | 60  |     |     |
| 140                | 20                          | 20 | 30 | 50  |     |     |     |
| 150                | 20                          | 20 | 30 | 50  |     |     |     |
| 160                | 20                          | 20 | 40 | 50  |     |     |     |
| 170                | 20                          | 20 | 40 | 60  |     |     |     |
| 180                | 20                          | 20 | 40 | 60  |     |     |     |
| 190                | 20                          | 20 | 40 | 60  |     |     |     |
| 200                | 20                          | 20 | 40 | 60  |     |     |     |
| 210                | 20                          | 20 | 40 |     |     |     |     |
| 220                | 20                          | 20 | 50 |     |     |     |     |
| 230                | 20                          | 20 | 50 |     |     |     |     |
| 240                | 20                          | 20 | 50 |     |     |     |     |
| 250                | 20                          | 20 | 50 |     |     |     |     |

**CRITICAL TEMPERATURE 600°C** Multiple R 0,998351  $\alpha_0 = 0$  R<sup>2</sup> 0,996705 K<sub>MOD</sub> = 0,97

| A <sub>p</sub> / V | Fire resistant time minutes |    |    |     |     |     |     |
|--------------------|-----------------------------|----|----|-----|-----|-----|-----|
|                    | 30                          | 60 | 90 | 120 | 150 | 180 | 210 |
| 50                 | 20                          | 20 | 20 | 20  | 20  | 25  | 40  |
| 60                 | 20                          | 20 | 20 | 20  | 25  | 40  | 40  |
| 70                 | 20                          | 20 | 20 | 20  | 30  | 40  | 50  |
| 80                 | 20                          | 20 | 20 | 25  | 40  | 50  | 60  |
| 90                 | 20                          | 20 | 20 | 25  | 40  | 50  | 60  |
| 100                | 20                          | 20 | 20 | 30  | 40  | 60  |     |
| 110                | 20                          | 20 | 20 | 40  | 50  | 60  |     |
| 120                | 20                          | 20 | 20 | 40  | 50  |     |     |
| 130                | 20                          | 20 | 25 | 40  | 60  |     |     |
| 140                | 20                          | 20 | 25 | 40  | 60  |     |     |
| 150                | 20                          | 20 | 25 | 50  | 60  |     |     |
| 160                | 20                          | 20 | 30 | 50  |     |     |     |
| 170                | 20                          | 20 | 30 | 50  |     |     |     |
| 180                | 20                          | 20 | 30 | 50  |     |     |     |
| 190                | 20                          | 20 | 40 | 60  |     |     |     |
| 200                | 20                          | 20 | 40 | 60  |     |     |     |
| 210                | 20                          | 20 | 40 | 60  |     |     |     |
| 220                | 20                          | 20 | 40 | 60  |     |     |     |
| 230                | 20                          | 20 | 40 |     |     |     |     |
| 240                | 20                          | 20 | 40 |     |     |     |     |
| 250                | 20                          | 20 | 40 |     |     |     |     |

**CRITICAL TEMPERATURE 650°C** Multiple R 0,998572  $\alpha_0 = 0$  R<sup>2</sup> 0,997146 K<sub>MOD</sub> = 0,97

| A <sub>p</sub> / V | Fire resistant time minutes |    |    |     |     |     |     |
|--------------------|-----------------------------|----|----|-----|-----|-----|-----|
|                    | 30                          | 60 | 90 | 120 | 150 | 180 | 210 |
| 50                 | 20                          | 20 | 20 | 20  | 20  | 25  | 30  |
| 60                 | 20                          | 20 | 20 | 20  | 20  | 30  | 40  |
| 70                 | 20                          | 20 | 20 | 20  | 25  | 40  | 40  |
| 80                 | 20                          | 20 | 20 | 20  | 30  | 40  | 50  |
| 90                 | 20                          | 20 | 20 | 25  | 30  | 40  | 50  |
| 100                | 20                          | 20 | 20 | 25  | 40  | 50  | 60  |
| 110                | 20                          | 20 | 20 | 30  | 40  | 50  |     |
| 120                | 20                          | 20 | 20 | 30  | 50  | 60  |     |
| 130                | 20                          | 20 | 20 | 40  | 50  | 60  |     |
| 140                | 20                          | 20 | 20 | 40  | 50  |     |     |
| 150                | 20                          | 20 | 20 | 40  | 60  |     |     |
| 160                | 20                          | 20 | 25 | 40  | 60  |     |     |
| 170                | 20                          | 20 | 25 | 50  | 60  |     |     |
| 180                | 20                          | 20 | 25 | 50  |     |     |     |
| 190                | 20                          | 20 | 30 | 50  |     |     |     |
| 200                | 20                          | 20 | 30 | 50  |     |     |     |
| 210                | 20                          | 20 | 30 | 60  |     |     |     |
| 220                | 20                          | 20 | 30 | 60  |     |     |     |
| 230                | 20                          | 20 | 40 | 60  |     |     |     |
| 240                | 20                          | 20 | 40 | 60  |     |     |     |
| 250                | 20                          | 20 | 40 | 60  |     |     |     |

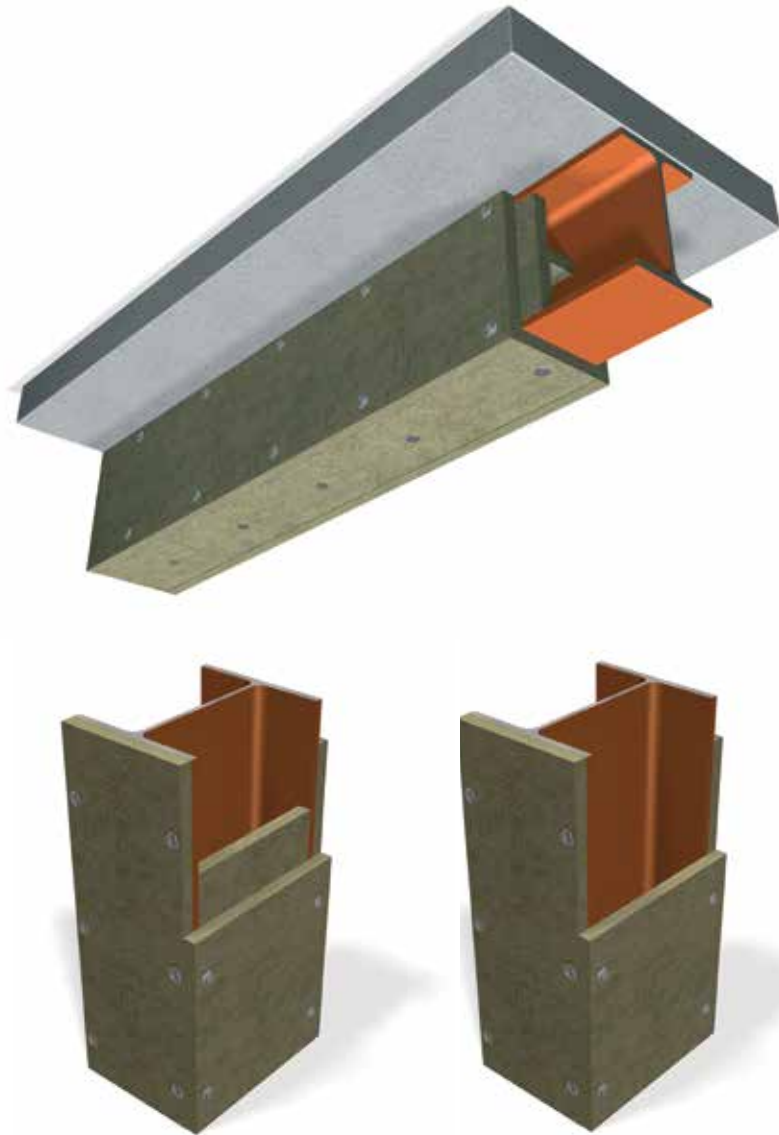
**CRITICAL TEMPERATURE 700°C** Multiple R 0,998565  $\alpha_0 = 0$  R<sup>2</sup> 0,997132 K<sub>MOD</sub> = 0,97

| A <sub>p</sub> / V | Fire resistant time minutes |    |    |     |     |     |     |
|--------------------|-----------------------------|----|----|-----|-----|-----|-----|
|                    | 30                          | 60 | 90 | 120 | 150 | 180 | 210 |
| 50                 | 20                          | 20 | 20 | 20  | 20  | 20  | 25  |
| 60                 | 20                          | 20 | 20 | 20  | 20  | 25  | 30  |
| 70                 | 20                          | 20 | 20 | 20  | 20  | 30  | 40  |
| 80                 | 20                          | 20 | 20 | 20  | 25  | 30  | 40  |
| 90                 | 20                          | 20 | 20 | 20  | 30  | 40  | 50  |
| 100                | 20                          | 20 | 20 | 20  | 30  | 40  | 50  |
| 110                | 20                          | 20 | 20 | 25  | 40  | 50  | 60  |
| 120                | 20                          | 20 | 20 | 25  | 40  | 50  | 60  |
| 130                | 20                          | 20 | 20 | 25  | 40  | 50  |     |
| 140                | 20                          | 20 | 20 | 30  | 50  | 60  |     |
| 150                | 20                          | 20 | 20 | 30  | 50  | 60  |     |
| 160                | 20                          | 20 | 20 | 40  | 50  |     |     |
| 170                | 20                          | 20 | 20 | 40  | 60  |     |     |
| 180                | 20                          | 20 | 20 | 40  | 60  |     |     |
| 190                | 20                          | 20 | 20 | 40  | 60  |     |     |
| 200                | 20                          | 20 | 20 | 50  |     |     |     |
| 210                | 20                          | 20 | 20 | 50  |     |     |     |
| 220                | 20                          | 20 | 25 | 50  |     |     |     |
| 230                | 20                          | 20 | 25 | 50  |     |     |     |
| 240                | 20                          | 20 | 25 | 60  |     |     |     |
| 250                | 20                          | 20 | 30 | 60  |     |     |     |



## INSTALLATION

- 1** The insulation is fastened by welding steel pins ( $\varnothing$  2,8 mm) with washers ( $\varnothing$  30 mm).
- 2** Pins on beams are fastened maximum 50 mm from the edges.
- 3** Pins on columns are fastened maximum 110 mm from the edges.
- 4** The maximum distance between fasteners on columns is 400 mm.
- 5** For beams the maximum distance between fasteners is 300 mm.
- 6** When installing insulation on H or I profiles with distances between flanges more than 200 mm a supporting board is placed behind board joints.
- 7** The supporting board shall be 100 mm in width and of the same thickness as the main insulation.
- 8** When the distance between flanges is more than 300 mm, a supporting board is secured with another board installed perpendicular to the supporting board, made from the main insulation thickness.
- 9** Both boards are cut oversized so they fit tight. No glue or glue or equivalent is needed.
- 10** All edges of the profile are fully covered by the boards.
- 11** At installation on beams the boards on the sides shall cover the bottom layer boards and not vice versa.
- 12** No openings in fire protection are allowed.



*PAROC XPS 001 Fire spring*



*Steel pin*



- Fire protection made by inorganic stone wool is very durable. Maintenance is only needed if there will be some impact damage. Damage is very easy to repair just by changing the current part of the insulation.
- Paroc FireSAFE system shall be used in indoor spaces with normal indoor temperature and moisture conditions.

# INSTALLATION OF PAROC® FIRESAFE SYSTEM

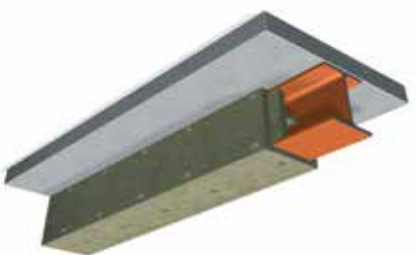
**GENERAL:  
MOUNTING I-PROFILES >200 MM**



**1** Cut the installation pieces with a width of 100 mm and a length suitable to the profile with 2–3 mm extra length. Use always the same thickness of slab as used for the current profile.



**2** Press the pieces of insulation between the flanges as a backing behind any joint.



When the beam or column has a height over 300 mm the piece of insulation is completed with perpendicular placed piece.

**WELDING**



The insulation is fixed by using steel pin/washers. The pin is an Ø 2,8 mm with fixed washer at Ø 30,0 mm.



The pin used is chosen 2–3 mm greater than the insulation thickness.



The boards should form a solid corner for the steel profile. No steel shall be visible.

Follow the instructions at the welding equipment to install the pins properly.

Ensure that the pins are properly fastened. The pins should be possible to bend aside (without insulation) and stay fastened.



The welding is done by Capacitor Discharge (CD) equipment – or equal.

See instructions on page 7.

**RHS-PROFILES**

Insulation should be fixed to the top of RHS profiles by butt welding.

The steel pins are fixed at intervals of less than 400 mm and less than 110 mm from joints in the insulation.



## ALTERNATIVE INSTALLATION METHOD

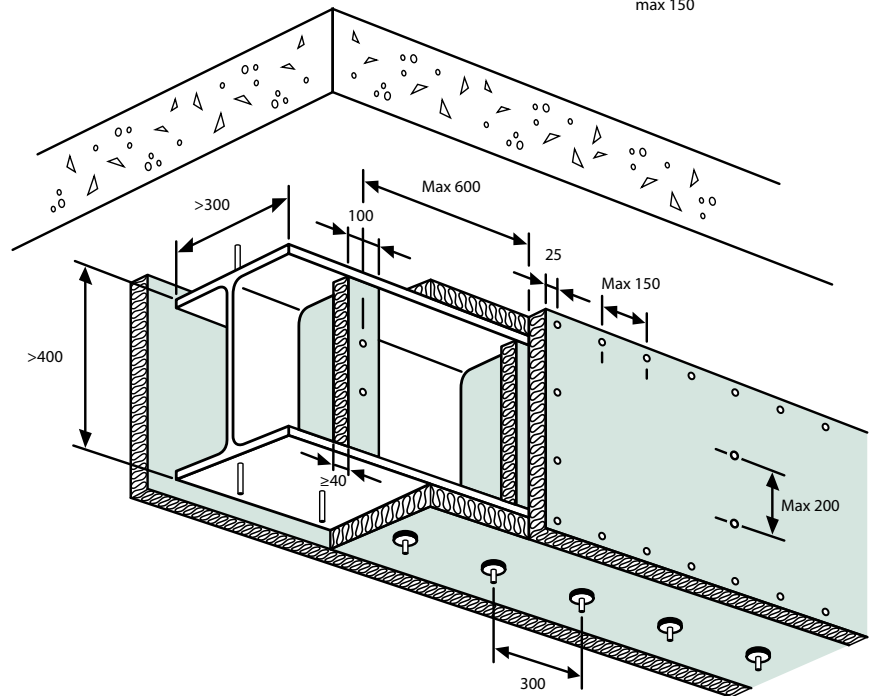
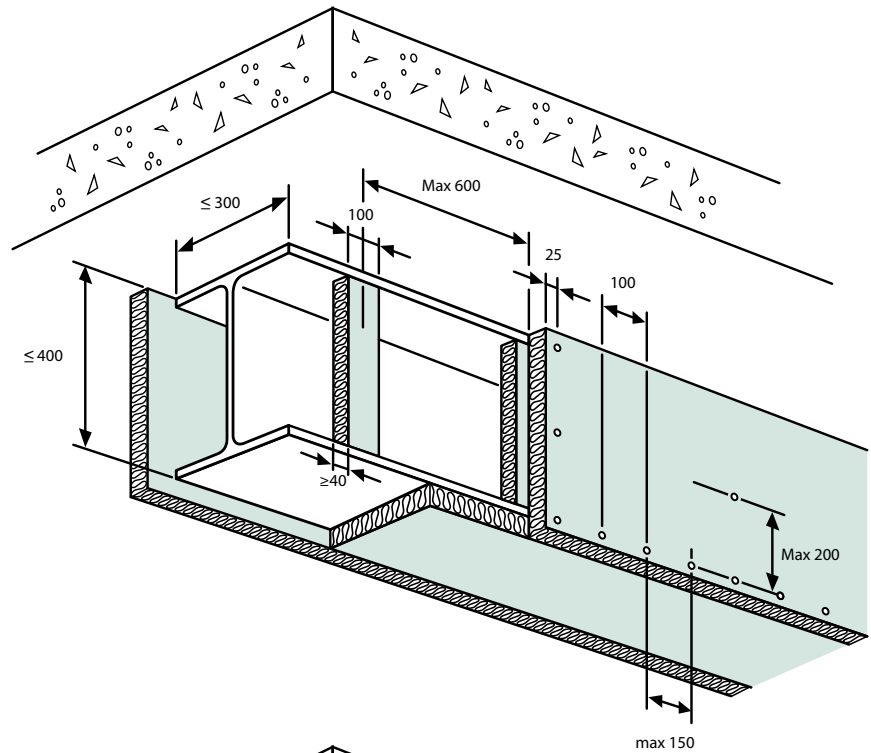
The ETA approval allows also the steel structure fire protection to be fixed with screws.

### SCREW FIXING

The insulation is fixed using special screws, PAROC® XFS 001 Fire Spring. The first stage of installation is to push 100 mm wide pieces of PAROC® FPS 17 between the flanges of the steel profile, with a maximum centre-to-centre spacing of 600 mm.

The thickness of the supporting board must be at least 40 mm. If the height of the beam is greater than 400 mm a piece of board must be placed perpendicular to provide additional support. If the width of profile flange is greater than 300 mm then 2,8 mm pins must be welded to the centre line of the flange at 300 mm intervals.

Cut the insulation so that it is equal to the height of the beam, plus the thickness of the flange insulation. Fix at least two fire spring at intervals of 200 mm or less. The spacing between the springs is shown in the figure. It is recommended that the fire spring length is twice the insulation thickness.



Paroc is one of Europe's leading manufacturers of energy-efficient and fire-proof insulation solutions. Throughout our 80-year history, we have earned a reputation for high product performance, technical expertise and sustainability among builders of single-family homes, architects, contractors, dealers and industrial builders. The cornerstones of our operations are customer and personnel orientation, constant innovation, profitable growth and sustainable development. Paroc products include building insulation, technical insulation, marine and offshore insulation, and acoustic products. The products are manufactured in Finland, Sweden, Lithuania, Poland and Russia. Paroc has sales and representative offices in 14 European countries.



#### **BUILDING INSULATION**

offers a wide range of products and solutions for all traditional building insulation. The building insulation products are mainly used for the thermal, fire and sound insulation of exterior walls, roofs, floors and basements, intermediate floors and partitions.



#### **SOUND ABSORBING**

ceilings and wall panels for interior acoustic control, as well as industrial noise control products, are available in the range.



#### **TECHNICAL INSULATION**

products are used for thermal, fire and sound insulation in HVAC systems, industrial processes and pipe work, industrial equipment as well as shipbuilding and offshore industry.



#### **WARRANTY DISCLAIMER**

The information in this brochure describes the conditions and technical properties of the disclosed products, valid at the time of publication of this document and until replaced by the next printed or digital version. The latest version of this brochure is always available on the Paroc website.

Our information material presents applications for which the functions and technical properties of our products have been approved. However, the information does not mean a commercial guarantee. We do not assume liability of the use of third party components used in the application or the installation of our products.

We cannot warrant the suitability of our products if used in an area or conditions which are not provided in our information material.

As a result of constant further development of our products we reserve the right to make alterations to our information material at any time.

PAROC is a registered trademark of Paroc Group.

Applications:

May 2017

© Paroc Group 2017

TIUK0517



**PAROC LTD**

Technical Insulation Division

Tel. +44 (0)7807 591376

[www.paroc.co.uk](http://www.paroc.co.uk)

**A MEMBER OF PAROC GROUP**