

**Electrical Exit Device
Electrical Trim**

Standalone Alarm Panic Exit Device CMP001-DJ

CMP001-DJ-AC: with ANSI cylinder

1. Voice alarm. English, Spain, all languages are available
2. Reset by key
3. Battery With 2 years of standby time
4. Power shortage(voltage less than 7V) alarm by red LED
5. Alarm is shutdown by key.
6. ANSI cylinder is optional
7. Voltage: 9V DC
8. Material: 304 or stainless steel painted



Delayed Egress Panic Exit Devices

CMP401-DE-ALM-LM-KO

CMP406-DE-TBM-KO

Standalone and access control online version is available.

1. Delay egress, optional 0, 5, 10, 15 seconds
2. Down counter display
3. key to stop alarm and reset immediately
4. key to open door
5. Fail safe
6. Material: 304 or stainless steel painted
7. Monitoring:
 - LM - Latchbolt Monitoring
 - ALM-auxiliary Latch Monitoring
 - TBM-Top or Bottom bolt Monitoring
 - KO -Key override Monitoring
8. Voltage: 12V DC
9. Operation currency: 300mA



Standalone Alarm Modular For CMP450 CMPA45X-DJ series

1. Voice alarm. English, Spain, all languages are available
2. Reset by key
3. Battery With 2 years of standby time
4. Power shortage(voltage less than 7V) alarm by red LED
5. Alarm is shutdown by key.
6. ANSI cylinder is optional
7. Voltage: 9V DC
8. Material: 304 or stainless steel painted



Delayed Egress (DE) Modular for CMP450 series CMP45X-DE CMP46X-DE

Function:

Touch bar more than 2 seconds, the alert is triggered, only after 1-15 seconds (by settings), alarm stop and door can be open.

Key or by access control system to stop alert, and open door.

Specification:

1. Operation voltage: 12-24V DC
2. Operation current: 300mA
3. Monitor latch, touch bar, signal to access control system
4. Down counter display
5. Material: 304 or stainless steel painted



Electric Latch Retraction (ELR) Modular for CMP450 series and CMP955 CMP450-ELR, CMP46X-ELR CMP955-ELR

Function :

Latch automatic retract by motor, release by solenoid

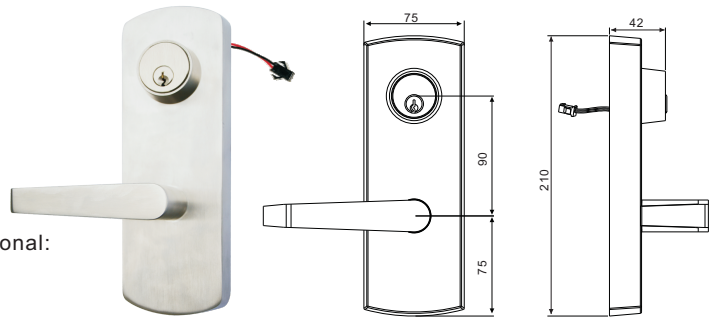
Specification:

1. Motor driving to retract latch/ mortise lock latchbolt and deadbolt/ top and bottom bolt
2. Operation voltage: 12-24V DC;
3. Operation current: 500mA
4. Monitor latch, touch bar, trim, top and bottom bolts signal to access control system



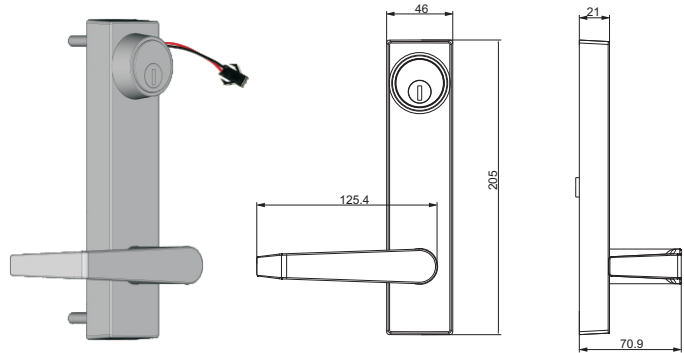
CMPA410-TD-EL/EU

1. Operation voltage: 12/24VDC,12-24VDC
2. Operation current: 300/150mA
3. Fail safe/fail secure
4. None handed
5. Free wheel, clutch design
6. Interchangeable core cylinder, core 31.9mm, is optional:
CMPA410-ACC-TD-EL/EU:



CMPA420-TD-EL/EU

1. Operation voltage: 12/24V DC
2. Operation current: 300/150mA
3. Fail safe/Fail secure
4. None handed
5. Interchangeable core cylinder, core 31.9mm, is optional:
CMPA420-ACC-TD-EL/EU

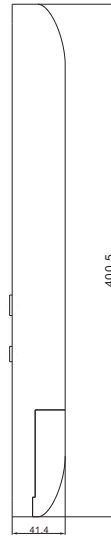
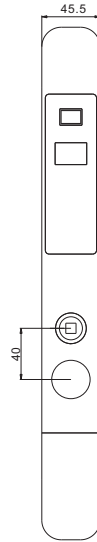




CMP910 M



CMP910 Z



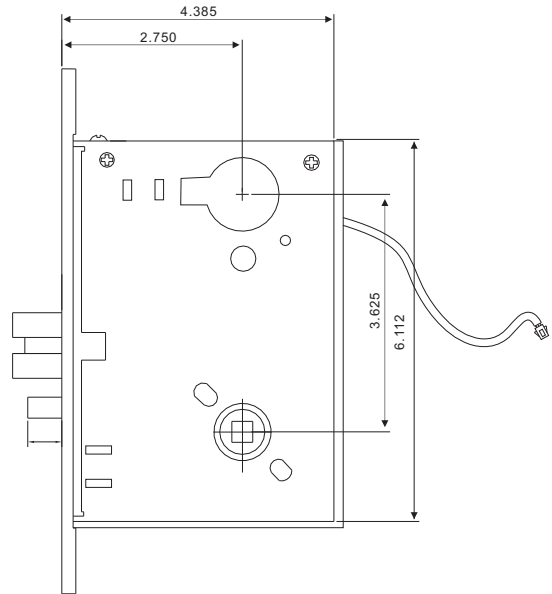
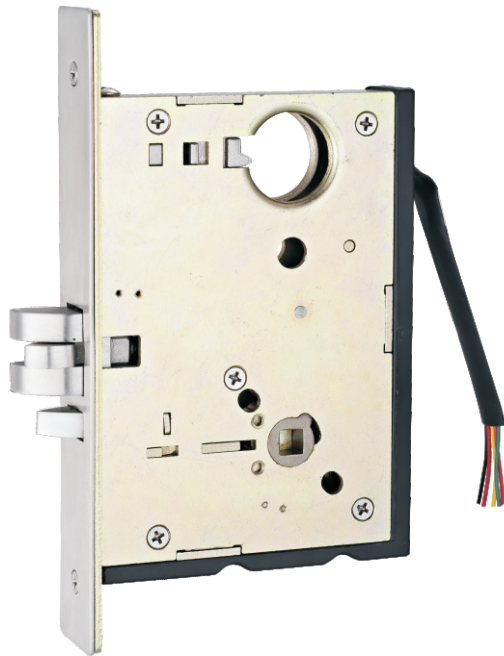
Electronic trim

1. Door open authorization
 - 1) CMP910-M: fake pin, M1, key
 - 2) CMP910-Z: finger vein, M1, key
2. Standalone, wireless on line is available
3. Bluetooth and NFC is available
4. Specification
 - 1) Smart time feature allows for time functionality: time zones, time schedules, holiday
 - 2) Touch Pad Detect.
 - 3) Supports 1500 Nos of 6 digit PIN user codes, fake Pin code.
 - 4) Fingertip programmable
 - 5) Weather proof, -31° to +151°F (-35° to +66°C)
 - 6) Long-life, battery operated for 15,000 cycles respectively, 4 AA batteries supplied, low battery alert
 - 7) Key override mortise cylinder, 1-1/4" supplied. (Supports 1-1/8", 1-1/4") .Also interchangeable cores available
 - 8) Non-handed; fully field-reversible
 - 9) Stainless steel 304 storefront
 - 10) Finishes 629, 630, PVD, AB

Electrical Mortis Lock Body
Electrical escutcheon trim



CML850 Electrified Mortise Lock(solenoid driving)
 CML850EU-REX-ALM-LM-KO-DP(switches)-SSS(finish)-304/316(material)



The CML850 series electrified mortise Lock utilizes CML800 series mortise mechanical platforms, it is suitable for all commercial applications.

The lock can be operated by intercom systems and key switches or integrated with electronic access control systems for use with higher security devices such as keypads or card readers. Designed with flexibility in mind, the one lock can cover all functions and is easily configured on site for the required application. Non monitored and monitored versions are available.



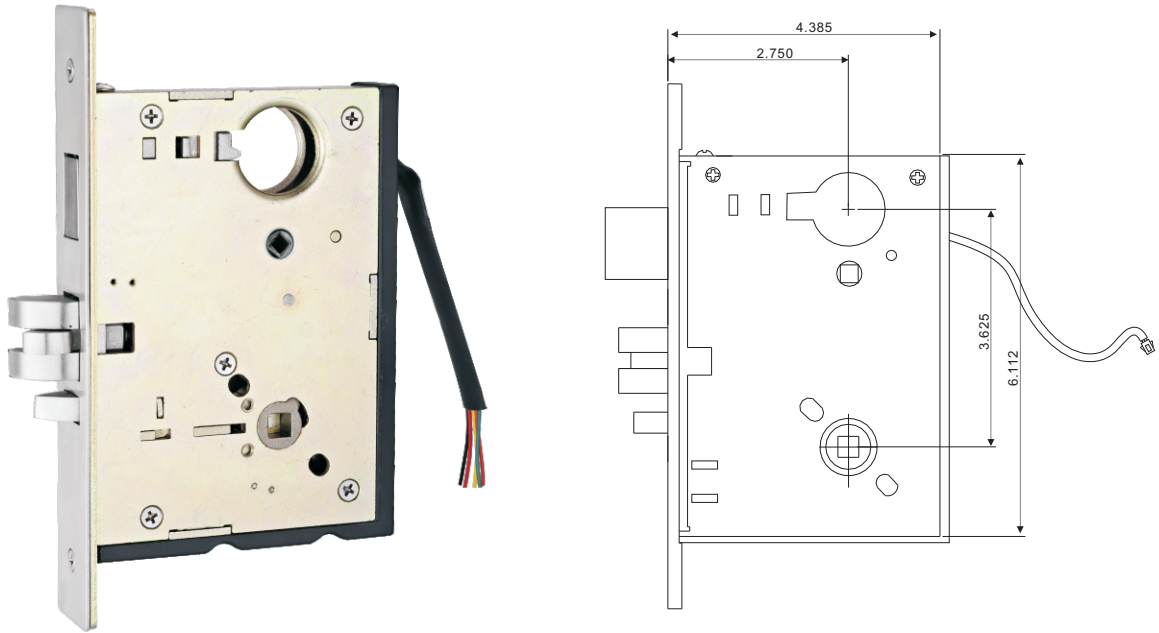
Certificate:

- A) A156.3, grade 1
- B) A156.25
- C) A156.5
- D) UL294
- E) UL10C&CAN-ULC-S104

Voltage	12V DC, 24V DC or 12-24V DC optional operating voltage
Current	300mA/150mA
Monitoring	Key override
	Latch bolt
	Auxiliary latch
	Handle, request to exit
	Door position
Fail secure/Fail safe	
Environment	Operational temperature range -20°C to +60°C
Backset	70mm
Distance	92mm
Latchbolt	Stainless Steel 304, projection 19mm
Door thickness	Standard applications 35 to 64mm
Door Clearance	3-6.5mm
None handed	
Cylinder	Standard Camax round shaped cylinders
Furniture	Compatible with Camax series door furniture
Standard Finishes	Satin finish



CML855, with Deadbolt(Solenoid driving)
 CML855EL-REX-ALM-LM-DM-KO(switches)-SSS(finish)-304/316(material)



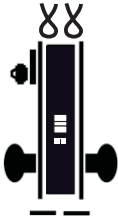
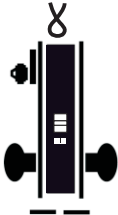
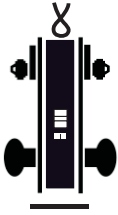
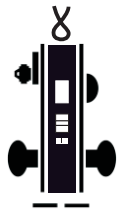
The CML850 series electrified mortise Lock utilizes CML800 series mortise mechanical platforms, it is suitable for all commercial applications.

The lock can be operated by intercom systems and key switches or integrated with electronic access control systems for use with higher security devices such as keypads or card readers. Designed with flexibility in mind, the one lock can cover all functions and is easily configured on site for the required application. Non monitored and monitored versions are available.

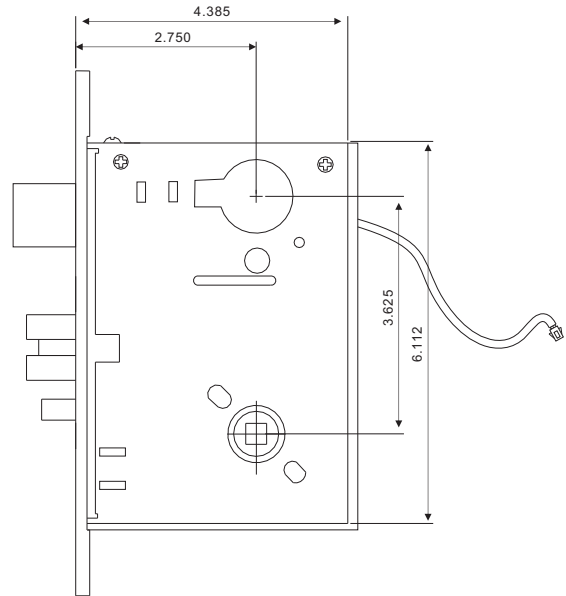


- Certificate:
 A) A156.3, grade 1
 B) A156.25
 C) A156.5
 D) UL294
 E) UL10C&CAN-ULC-S104

Voltage	12V DC, 24V DC or 12-24V DC optional operating voltage
Current	300mA/150mA
Monitoring	Key override
	Latch bolt
	Auxiliary latch
	Dead bolt
	Handle, request to exit
Fail secure/Fail safe	
Environment	Operational temperature range -20°C to +60°C
Backset	70mm
Distance	92mm
Latchbolt	Stainless Steel 304, projection 19mm
Door thickness	Standard applications 35 to 64mm
Door Clearance	3-6.5mm
None handed	
Cylinder	Standard Camax round shaped cylinders
Furniture	Compatible with Camax series door furniture
Standard Finishes	Satin finish

Outside Inside	SKU	Type	Function Description
	CML850ES	Electrically Secure and Safe, split spindle CML850EL+ES1-TD-EU	Outside levers unlocked by 12V or 24V DC electrically, power failure keeps outside lever locked; Inside levers locked by 12V or 24V DC electrically, power failure keeps inside lever unlocked; Auxiliary latch deadlocks latchbolt when door is closed. Latchbolt retracted by key outside any time
	CML850EU	Electrically Unlocked, split spindle	Outside lever unlocked by 12 or 24V DC. Latchbolt retracted by key outside or by inside lever. Switch or power failure keeps outside lever locked. Auxiliary latch deadlocks latchbolt when door is closed. Inside lever is always free for immediate egress. Keys are for the emergency.
	CML850EL	Electrically Locked, split spindle	Outside lever continuously locked by 12 or 24V DC. Latchbolt retracted by key outside or by inside lever. Switch or power failure allows outside lever to retract latchbolt. Auxiliary latch deadlocks latchbolt when door is closed. Inside lever is always free for immediate egress. Keys are for the emergency.
	CML852EU	Electrically Unlocked Both Sides, Solid spindle	Outside and inside levers unlocked electrically. Latchbolt retracted by key either side. Switch or power failure keeps inside and outside levers locked. Auxiliary latch deadlocks latchbolt when door is closed. Keys are for the emergency.
	CML852EL	Electrically Locked Both Sides, Solid spindle	Outside and inside levers continually locked electrically. Latchbolt retracted by key either side. Switch or power failure allows inside and outside levers to retract latchbolt. Auxiliary latch deadlocks latchbolt when door is closed. Keys are for the emergency.
	CML855EU	Electrically Unlocked (with deadbolt), split spindle	Function same as CML850EU, deadbolt as additional point of locking. Deadbolt thrown and retracted by key outside and thumbturn inside. Also could be retracted by both sides lever. Inside lever is always free for immediate egress. Auxiliary latch deadlocks latchbolt when door is closed. Keys are for the emergency.
	CM855EL	Electrically Locked (with deadbolt), split spindle	Function same as M850EL, deadbolt as additional point of locking. Deadbolt thrown and retracted by key outside and thumbturn inside. Also could be retracted by both sides lever. Inside lever is always free for immediate egress. Auxiliary latch deadlocks latchbolt when door is closed. Keys are for the emergency.

CML860 Electrified Mortise Lock(Motor driving)
 CML860-REX-ALM-LM-DM-KO-NM(No motor)



The CML 860 series electric mortise Lock is utilizes CML800 series mortise mechanical platforms, it is suitable for all standalone applications.

Non monitored and monitored versions are available.

Compliance:

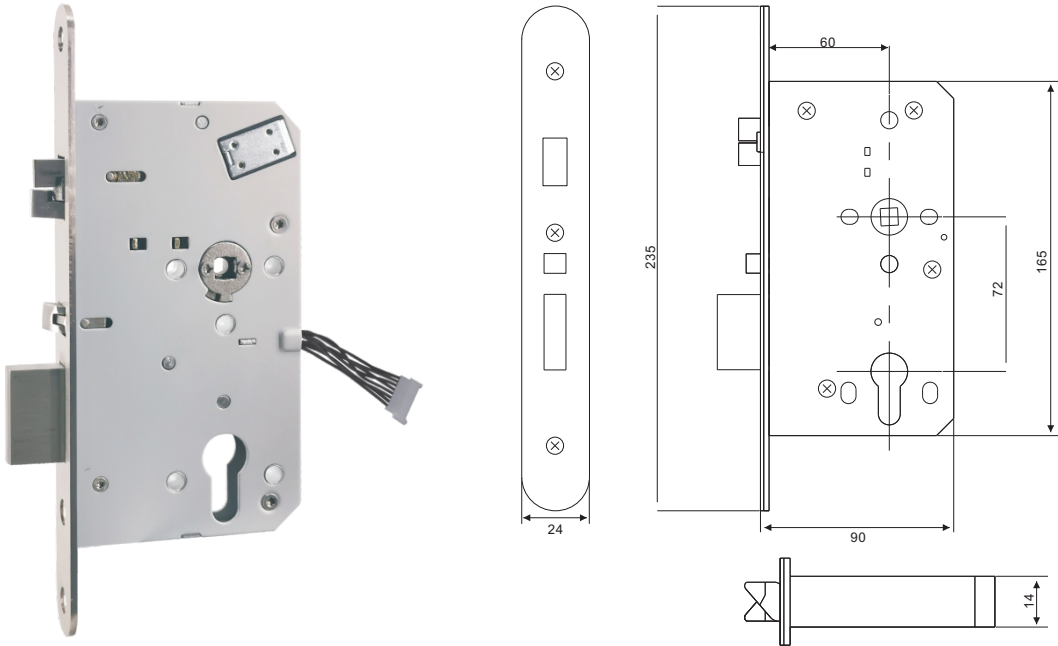
ANSI/BHMAA156.25-2007, grade 1;

ANSI/BHMAA156.13-2005, grade 1;

UL 10C fire rated 3 hours.

Voltage	3.3V - 6VDC
Monitoring	Key override
	Latch bolt
	Dead bolt
	Auxiliary latch
	Handle
Environment	Operational temperature range -20°C to +60°C
Backset	70mm
Distance	92mm
Latchbolt	Stainless Steel 304, projection 19mm
Deadbolt	Stainless Steel 304, projection 25.4mm
Door thickness	Standard applications 35 to 64mm
Door Clearance	3-6.5mm
None handed	
Cylinder	Standard Camax round shaped cylinders
Furniture	Compatible with Camax series door furniture
Standard Finishes	Satin finish

72-55/60/65TD(Solenoid driving)
 72-60TD-S24-FA01-S/T(spindle)-EL/EU-ALM-DM-HD-KO
 (switches)-SSS(finish)-304/316(material)



1. Automatic deadbolt locking.
2. Bolt projection, one throw, 20mm
3. No handed
4. Free wheel, clutch design
5. Suitable for access control system

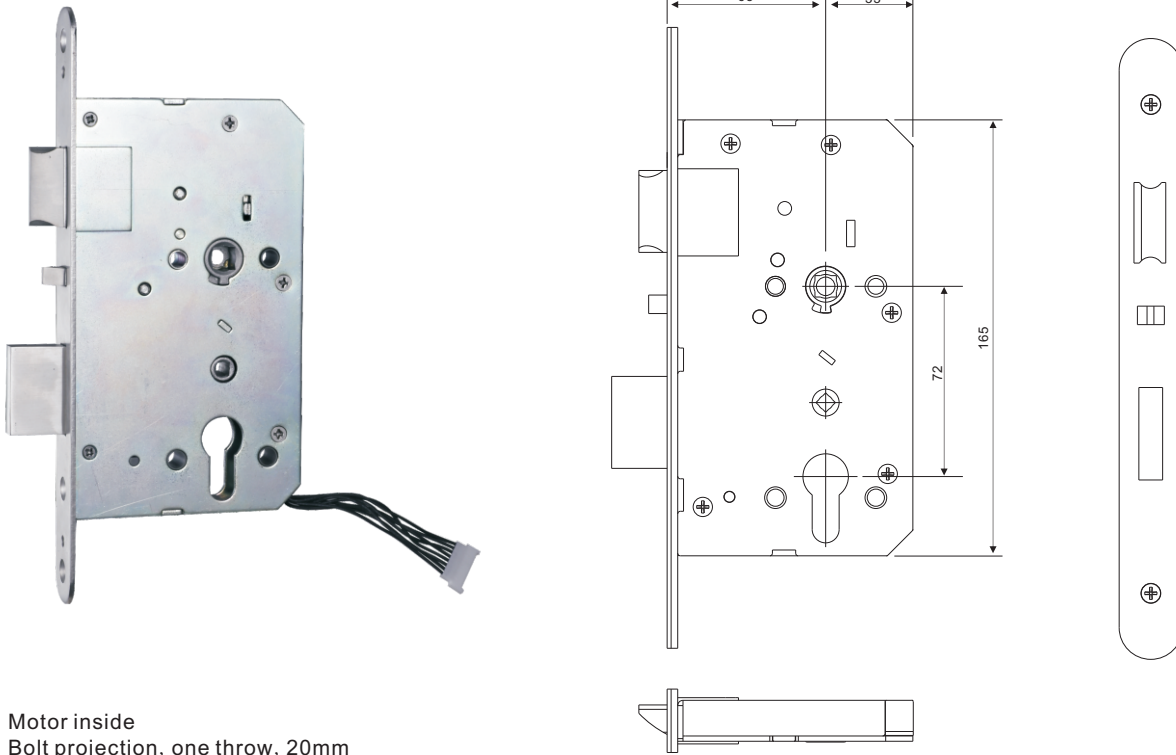


Certificate(Pending):
 EN12209-2016: 3X9-0G20
 EN179: 376B1342AB
 EN1125: 376B1321AA
 EN1634-1: fire rated 4 hours
 EN14846: 3S8D-L611
 EN61000-6-1, EN61000-6-3

Voltage	12V DC, 24V DC or 12-24V DC optional operating voltage
Current	300mA/150mA
Monitoring	Key override(KO)
	Auxiliary latch(ALM)
	Dead bolt(DM)
	Handle down(HD)
S : Split spindle;T : Through spindle	
Fail secure/Fail safe	
Environment	Operational temperature range -20°C to +60°C
Backset	55/60/65mm
Distance	72mm
Door thickness	Standard applications 35 to 64mm
Door Clearance	3-6.5mm
None handed	
Cylinder	Standard European profile cylinders
Furniture	Compatible with Camax series door furniture
Standard Finishes	Satin finish

72-65TM(Motor Driving)

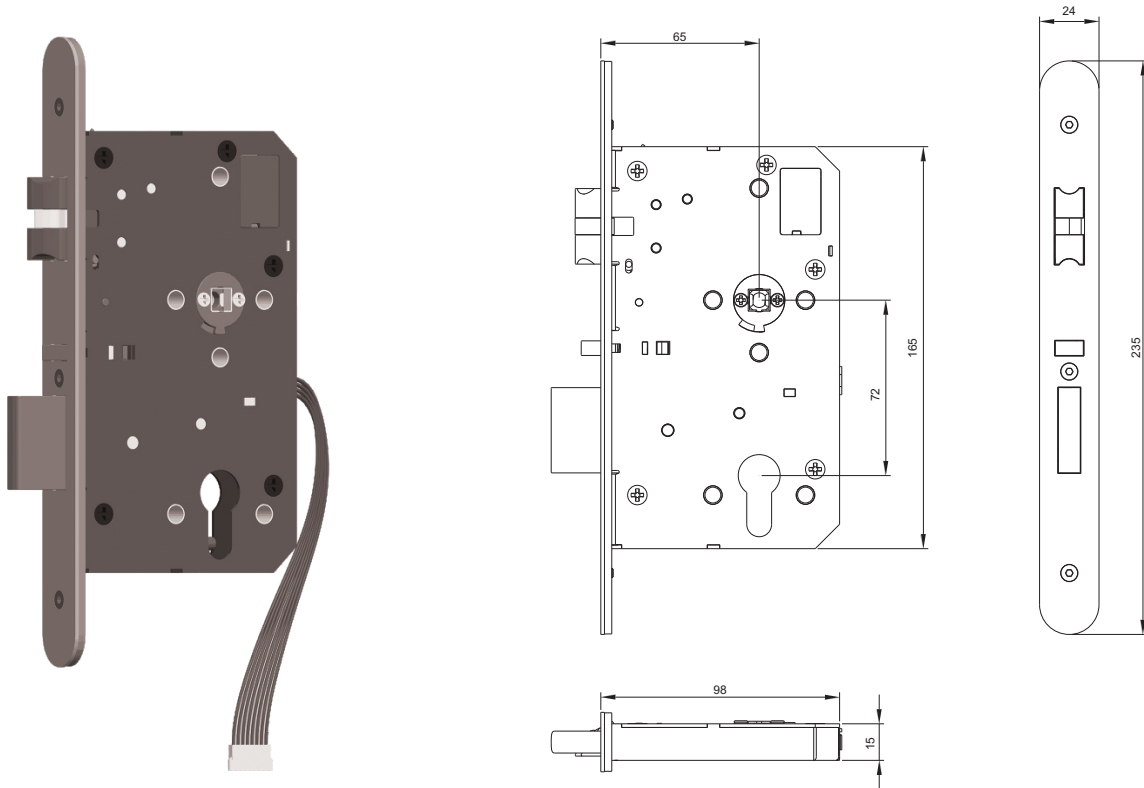
72-65TM-LM-ALM-DM-HD-KO



1. Motor inside
2. Bolt projection, one throw, 20mm
3. With auxiliary latchbolt
4. With mechanical thumbturn function(DND)
5. Handed
6. Suitable for electronic lock, hotel lock

Voltage	3.3V - 6VDC
Monitoring	Latch(LM)
	Auxiliary latch(ALM)
	Dead bolt(DM)
	Handle down(HD)
	Key override(KO)
Environment	Operational temperature range -20°C to +60°C
Backset	65mm
Distance	72mm
Latchbolt	Stainless Steel 304, projection 15mm
Deadbolt	Stainless Steel 304, projection 21mm
Door thickness	Standard applications 35 to 64mm
Door Clearance	3-6.5mm
Handed	
Cylinder	Standard European profile cylinders
Furniture	Compatible with Camax series door furniture
Standard Finishes	Satin finish

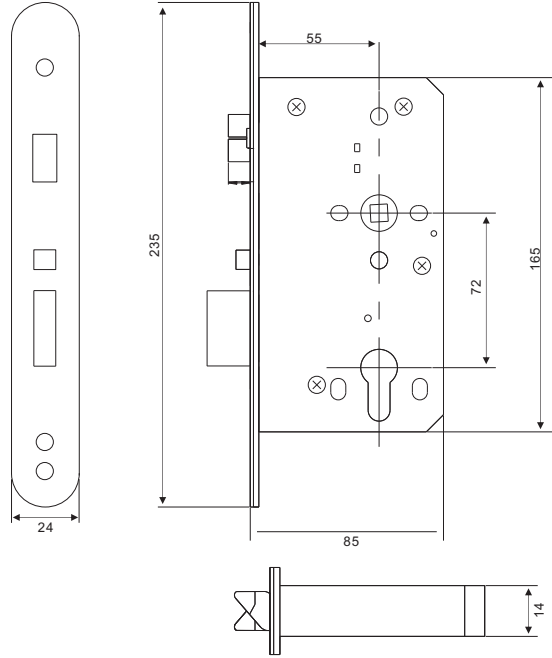
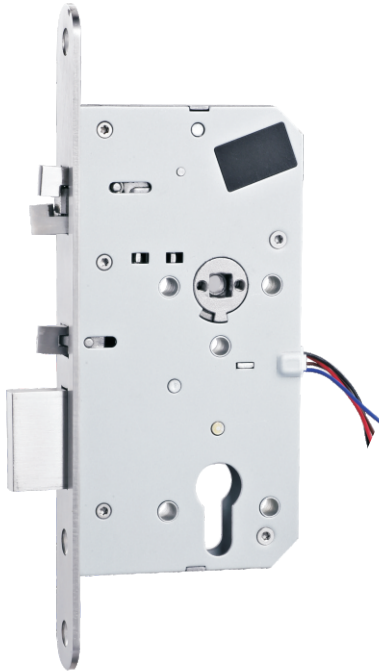
72-65TMB(Motor Driving)
72-65TMB-LM-ALM-DM-HD-KO



When the door close, the lock becomes locked automatically. The dead bolt throws out and the latch bolt is blocked.
 When the controlled handle or panic handle is down, the dead bolt is withdraw inside the lock case and the latch bolt is release consequently.
 Mechanical opening using key cylinder is always possible from both sides and the lock can be opened by inside handle (anti-panic feature)
 The lock is without thumbturn(DND function)

Voltage	3.3V - 6VDC
Monitoring	Auxiliary latch(ALM)
	Dead bolt(DM)
	Handle down(HD)
	Key override(KO)
Environment	Operational temperature range -20°C to +60°C
Backset	55mm
Distance	72mm
Latchbolt	Stainless Steel 304
Deadbolt	Stainless Steel 304, projection 21mm
Door thickness	Standard applications 35 to 64mm
Door Clearance	3-6.5mm
None handed	
Cylinder	Standard European profile cylinders
Furniture	Compatible with Camax series door furniture
Standard Finishes	Satin finish

72-55TMC(Motor driving)
72-55TMC-ALM-DM-HD-KO

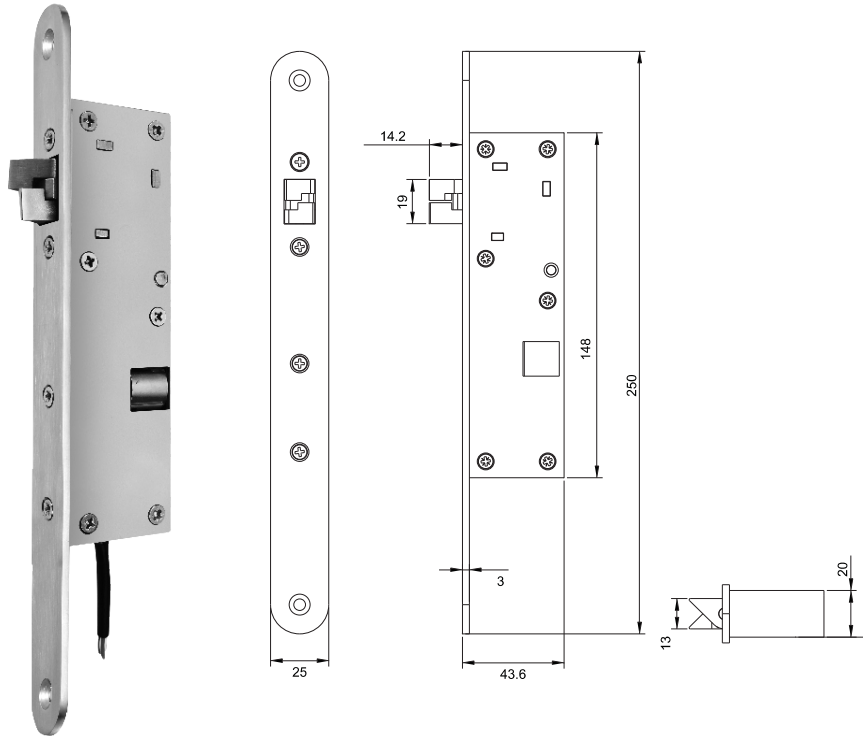


When the door close, the lock becomes locked automatically. The dead bolt throws out and the latch bolt is blocked.
When the controlled handle or panic handle is down, the dead bolt is withdraw inside the lock case and the latch bolt is release consequently.
Mechanical opening using key cylinder is always possible from both sides and the lock can be opened by inside handle (anti-panic feature)
The lock is without thumbturn(DND function)

Voltage	3.3V - 6VDC
Monitoring	Auxiliary latch(ALM)
	Dead bolt(DM)
	Handle down(HD)
	Key override(KO)
Environment	Operational temperature range -20°C to +60°C
Backset	55mm
Distance	72mm
Latchbolt	Stainless Steel 304
Deadbolt	Stainless Steel 304, projection 21mm
Door thickness	Standard applications 35 to 64mm
Door Clearance	3-6.5mm
None handed	
Cylinder	Standard European profile cylinders
Furniture	Compatible with Camax series door furniture
Standard Finishes	Satin finish

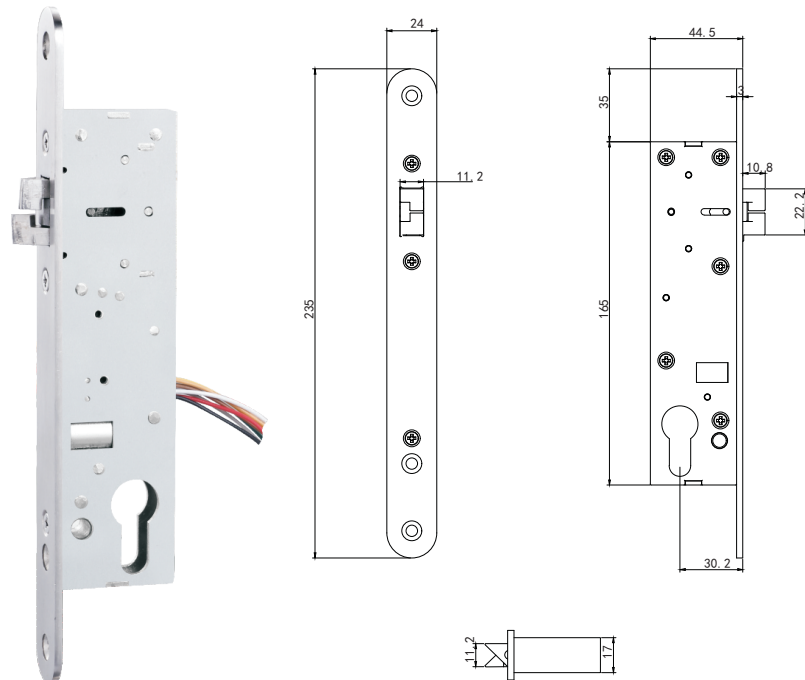
40TDA (Solenoid driving)

1. Operation voltage: 12-24VDC
2. Operation current: 150/90mA
3. Fail safe
4. None handed
5. Stainless steel 304
6. Monitoring: latchbolt
8. Operation temperature: -20°C-60°C



40TDB(Solenoid driving) 40TDB-LM-KO

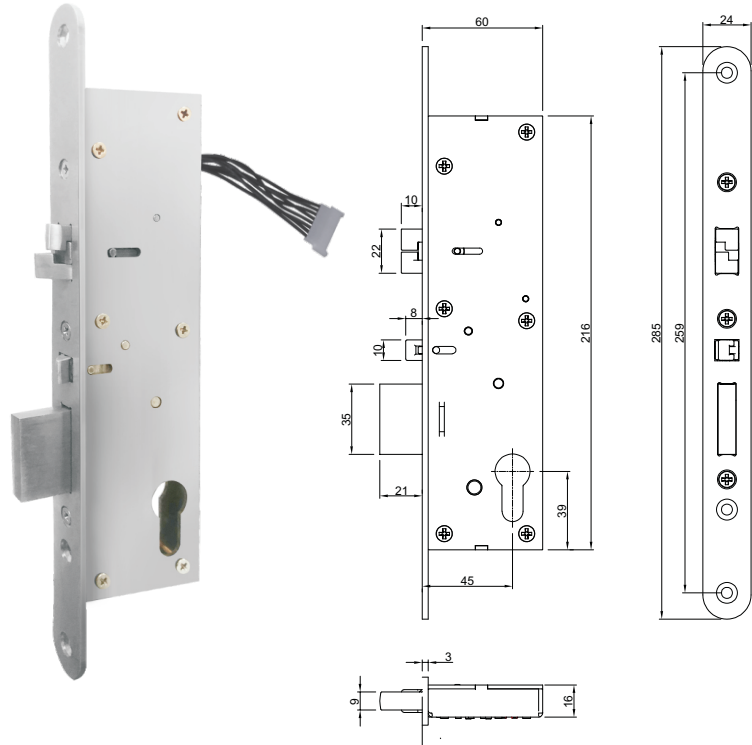
1. Operation voltage: 12-24VDC
2. Operation current: 150/90mA
3. Monitor key override optional
4. Fail secure
5. None handed
6. Stainless steel 304
7. Monitoring: latchbolt, key override
8. Operation temperature: -20°C-60°C



45D-TM(Motor driving) 45D-TM-LM-ALM-DM-KO

Automatic deadbolt thrown when door close.
Motor inside to drive the deadbolt retract.
Key override

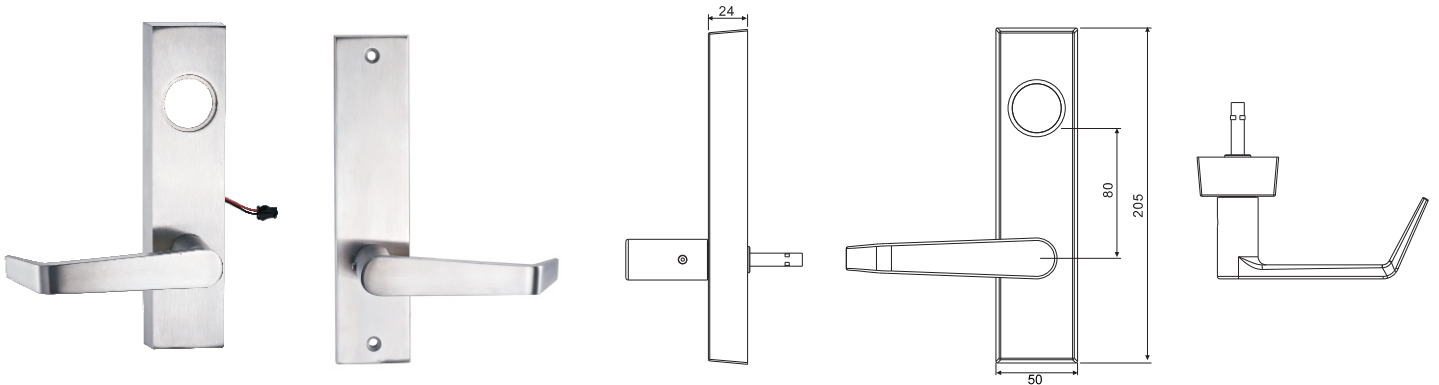
1. Operation voltage: 12-24V DC
2. Operation current: 110mA
3. Monitor latch, auxiliary latch, deadbolt, key override
4. None handed
5. Stainless steel 304
6. Backset: 45mm
7. None handed
8. Operation temperature: -20°C-60°C



ES1-TD(Solenoid driving)

Electrified trim for ANSI mortise lock

1. Operation voltage: 12-24V DC
2. Operation current: A300/150mA
3. Fail secure
4. None handed
5. Stainless steel 304



Electronic lock

wLock-20

Wireless electronic lock

Wireless connect to CamaxBSS

It can install to metal door, wooden door and profile door

Specification:

1. Battery Standby up to 1 year
2. Long range wireless technology, 100 meters
3. User record 1,000
4. Even record 5, 000
5. Support event planing
6. Wireless real- time transmission
7. Battery 2AA
8. Remote control
9. Authorize: card, BLE (optional)
10. Key override
11. Outdoor emergency power supply
12. Support lock distance: 72, 85, 92mm



Mifare card



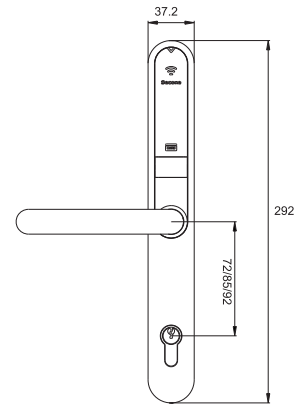
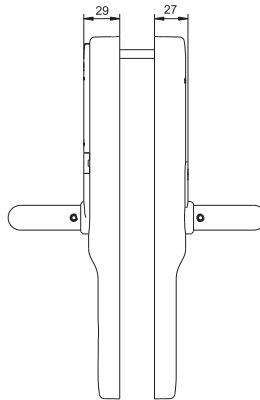
Key



Wireless



wLock-20



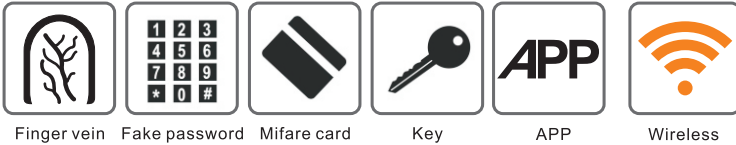
wLock40

Wireless finger vein electronic lock



Finger vein versus Fingerprint

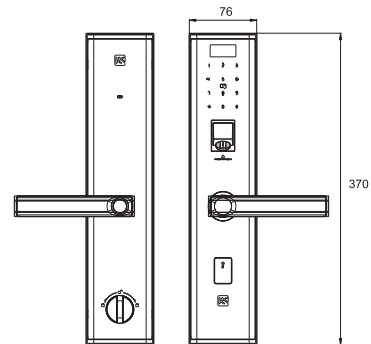
1. Finger vein based authentication is more accurate and it has lower False Rejection Rate
2. Finger vein authentication is less invasive technology
3. Finger veins do not leave latent prints behind on the scanning surface
4. Finger vein authentication is not affected by weather or age related effects on the skin surface
5. Finger vein authentication technology requires less maintenance



For high security area
 Wireless connect to CamaxBSS
 It can install to metal door, wooden door

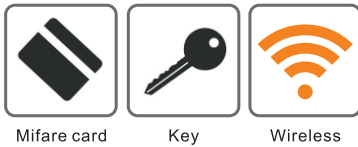
Specification:

1. Standby up to 2 year
2. Long range wireless technology, 100 meters
3. User record 1,000
4. Even record 5,000
5. Support event planing
6. Wireless real-time transmission
7. Battery 4AA
8. Remote control
9. Authorize: card, BLE(optional)
10. Key override
11. Outdoor emegency power supply
12. Authorise is 2 lever: deadbolt sensing prevents access to unauthorized cards when deadbolt is thrown



wLock60

Wireless electronic lock,ANSI



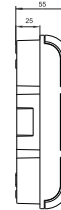
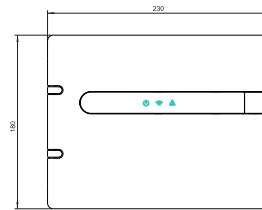
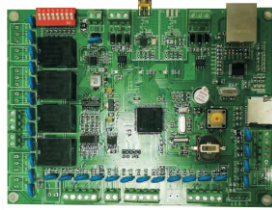
Wireless connect to CamaxBSS
It can install to metal door, wooden door

Specification:

1. Battery to 2 year
2. Long range wireless technology, 100 meters ,
3. User record 1,000
4. Even record 5,000
5. Support event planing
6. Wireless real-time transmission
7. Battery 4AA
8. Remote control
9. Authorize: card, BLE (optional)
10. Key override
11. Outdoor emegency power supply
12. Authorise is 2 lever: deadbolt sensing
prevents access to unauthorized cards when deadbolt is thrown

Hub and Control Box

AC-100

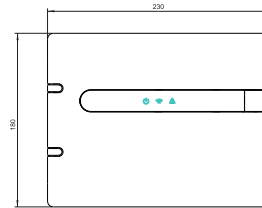


AC-100 is a full function hub. It support all Camax wireless devices and Wiegand protocol.

Specification

1. One hub manage wireless devices up to 64
2. 4 ports of Wiegand 26 or 34 wall cardreaders and door contact.
3. Auto-detect nearby wireless devices
4. Long range wireless technology, 100 meters
5. Users up to 60,000
6. Real-time transmission
7. Built-in hardware watchdog and self-inspection circuit ensures steady and reliable operation of the hardware
8. Power: 12V DC
9. Current: 3A

MB-100



AC-100 is a POE hub, It support all Camax wireless devices

Specification

1. One hub manage wireless devices up to 64
2. Auto-detect nearby wireless devices
3. Long range wireless technology, 100 meters
4. Users up to 60,000
5. Real-time transmission
6. Built-in hardware watchdog and self-inspection circuit ensures steady and reliable operation of the hardware
7. Power: POE or 12V DC optional

ASPC-100

Single door access control unit

1. 3x Dry signal output
2. 3x Dry signal input
3. Includes UPS manage unit
4. Power: 110-220V
5. 2x 12/24V DC output:
6. 2x reset buttons
7. Anti-surge and anti-overload design
8. Bee to alarm
9. Light indicate
10. serial-port communication, can become expansion board of access control main board

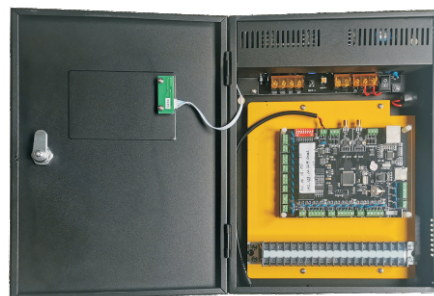


ASPC-200

Access Control Box

Size 330mmX240mmX65mm

1. Included all function of single door access control unit
2. 4x single door access control unit + 1x MB100
3. Power: 110-220V



Encoder and Card Reader



EN-NW-01

Encoder

1. Power by POE or USB
2. Build-in encryption algorithm to secure data
3. Support M1 series card
4. Connect to the server by network



WCR-100

Card reader+Keypad



WCR-120

Card reader

Power Transfer Device

Electrified Butt Hinge

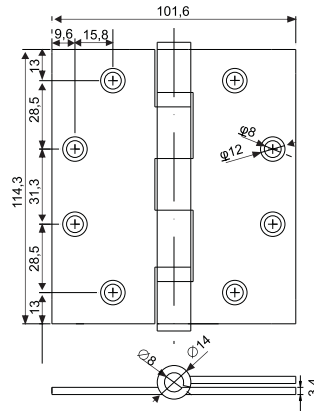
TD504034

TD454034

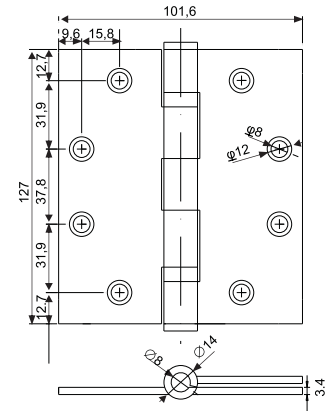
Compliance to ANSI/BHMAA156.1, grade 1

Cables up to 8 pins

Material: stainless steel



D454034-2BB



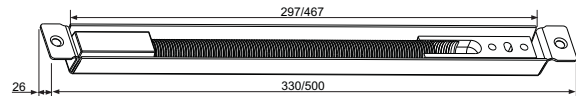
D504034-2BB

PTD200/500, Power Transfer Device

Material: stainless steel 304

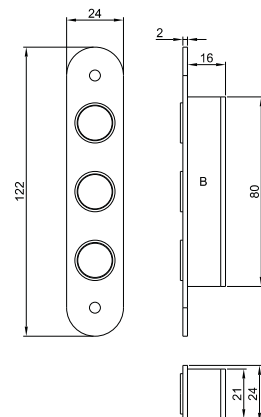
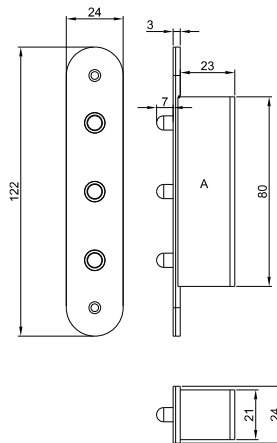
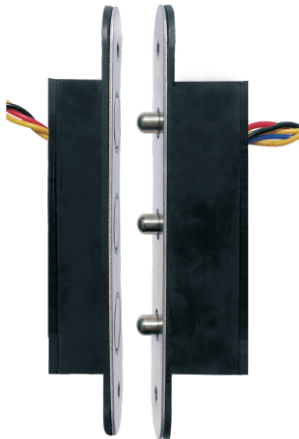
PTD200: length 330

PTD500: length 500



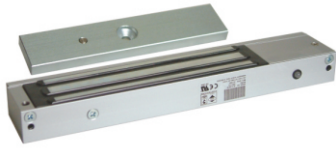
EG-300, Electrical Pin Transfer

Max 7 cables



Electromagnetic lock
Electrical strike

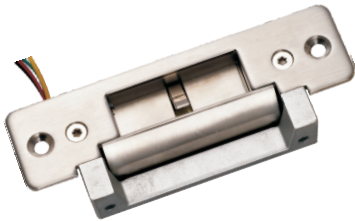
S172-Y



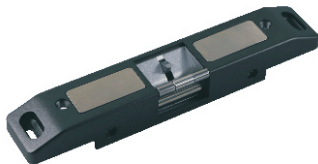
S172-E



ES-13



ES-20



ES-21



Electromagnetic lock for single door

Specifications:

Voltage Input: 12 VDC/24 VDC
 Current Draw: 12V/500mA; 24V/250mA (+5%)
 Holding Force : Up to 600 lbs (272 kg)
 Hall Effect Contact: SPDT rated 2A at 24 VDC
 Anti-Rust Surface Treatment: Blue Zinc Plating
 Operating Temperature : 0~55°C (32~131°F)
 Operating Humidity : 0~95% (non condensing)
 Weight (Magnet): 1.1kg (±1%)
 Dimensions :
 Magnet- (L)250x(W)42x(T)25 mm
 Armature - (L)1 80x(W)38x(T)11 mm

Electromagnetic lock for double door

Specifications:

Voltage Input: 12 VDC/24 VDC (per Magnet)
 Current Draw: 12V / 500mA; 24V / 250mA (+5%)
 Holding Force :Up to 600 lbs x2 (272 kg x2)
 Hall Effect Contact : SPDT rated 2Aat 24 VDC
 Anti-Rust Surface Treatment : Blue Zinc Plating
 Operating Temperature : 0~55°C (32~131°F)
 Operating Humidity : 0~95% (non condensing)
 Weight (Magnet): 2.2kg (±1 %)
 Dimensions :
 Magnet - (L)500x(W)42x(T)25 mm
 Armature - (L)1 80x(W)38x(T)11 mm

ANSI Electric Strike

Specifications:

Voltage input: DC12V(24V option)
 Current draw: 220mA
 Holding force: up to 500kg
 Operating temperature: -10~+55C
 Operating humidity:0~95%
 Output: NO, COM, NC
 Finish: SS
 Lock type: power-on lock or power-off lock
 Size: 124mmx43mmx35mm

Electric Strike for Panic Exit Device

Specifications:

Voltage input: DC12V/24V
 Current draw: 12V/220mA or 24V/110mA
 Holding force: up to 1,000kg
 Operating temperature: -10~+55°C
 Finish: powder coating, latch harden
 Lock type: power-on lock or power-off lock
 Open degree: 90
 Work with panic exit device
 Size: 230mmx40mmx30mm

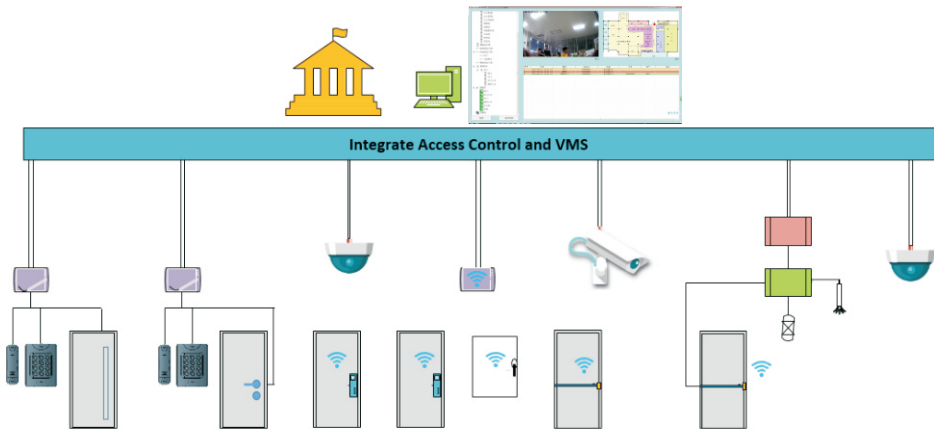
Electric Strike for Panic Exit Device

Compliance: BS EN1154:1997

GB122905-2008, fire rated, 90 minutes
 Function: Adjustable closing & latching speed
 Suit for wooden and metal door
 Optional built in HOLD-open
 None handed
 Material: Casting aluminum alloy body
 Finish: Silver, optional golden
 Feature:Spring power EN1-5, door weight 15-120KG
 Max door width 1 600MM
 Max opening angle is 120 degree
 Closing speed adjustable in the range 120-0 degree
 Latching speed adjustable in the range 15-0 degree
 Min door thickness: metal door 32mm, wooden door 42mm

CamaxBSS
Integrated Access Control & Video
Management Solutions

CamaxBSS(Integrated Access Control & Video Management Solutions)



The system deliver seamless integration between access control and video management applications. Giving you control-room functionality, the system brings together your access control and video management systems into one easy to use interface.

- Wizards, Diagnostic and Emergency recovery functions
- Sitemaps with Animated Icons
- Design and Print IC cards
- System Alarms
- Activate and Deactivate intruder alarm
- CCTV integration
- Fire Alarm interface including muster report

CamaxBBS is a role-based access control software suite with three specialised modules based on user type.

1. BSS INSTALL

BSS Install is used by the installer to set up controllers, readers and user profiles.

2. BSS MANAGE

BSS Manage is used by system administrators to facilitate the many database changes required on a day to day basis.

1. BSS MONITOR

BSS Monitor is used by the security guard to view and monitor alarm events.

Num	Time	EventType	Event	Camera IP	Device	Device IP	Admin Name	Remark
150	2019-06-28 09:45:13	Action	Camera motion detection alarm	192.168.1.4	camera4			E:\20190628\camera
151	2019-06-28 09:45:16	Realtime	Cancel Camera motion detection alarm	192.168.1.5	camera5			E:\20190628\camera
152	2019-06-28 09:45:20	Realtime	Cancel Camera motion detection alarm	192.168.1.9	camera9			E:\20190628\camera
153	2019-06-28 09:45:21	Action	Camera motion detection alarm	192.168.1.9	camera9			E:\20190628\camera
154	2019-06-28 09:45:22	Realtime	Cancel Camera motion detection alarm	192.168.1.18	camera18			E:\20190628\camera
155	2019-06-28 09:45:32	Action	Camera motion detection alarm	192.168.1.15	camera15			E:\20190628\camera
156	2019-06-28 09:45:35	Realtime	Cancel Camera motion detection alarm	192.168.1.17	camera17			E:\20190628\camera
157	2019-06-28 09:45:37	Action	Camera motion detection alarm	192.168.1.10	camera10			E:\20190628\camera
158	2019-06-28 09:45:37	Realtime	Cancel Camera motion detection alarm	192.168.1.12	camera12			E:\20190628\camera
159	2019-06-28 09:45:39	Realtime	Cancel Camera motion detection alarm	192.168.1.4	camera4			E:\20190628\camera
160	2019-06-28 09:45:40	Realtime	Cancel Camera motion detection alarm	192.168.1.8	camera8			E:\20190628\camera
161	2019-06-28 09:45:42	Action	Camera motion detection alarm	192.168.1.5	camera5			E:\20190628\camera
162	2019-06-28 09:45:43	Action	Camera motion detection alarm	192.168.1.12	camera12			E:\20190628\camera
163	2019-06-28 09:45:43	Action	Camera motion detection alarm	192.168.1.13	camera13			E:\20190628\camera
164	2019-06-28 09:45:44	Action	Camera motion detection alarm	192.168.1.8	camera8			E:\20190628\camera
165	2019-06-28 09:45:44	Realtime	Cancel Camera motion detection alarm	192.168.1.9	camera9			E:\20190628\camera
166	2019-06-28 09:45:46	Realtime	Cancel Camera motion detection alarm	192.168.1.15	camera15			E:\20190628\camera
167	2019-06-28 09:45:47	Action	Camera motion detection alarm	192.168.1.11	camera11			E:\20190628\camera

Hotel Lock(OEM)

Hotel Product(OEM)



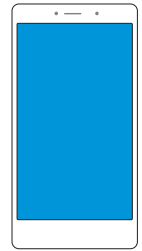
ANSI Hotel Lock



EURO Hotel Lock



Room Reader and Indicator



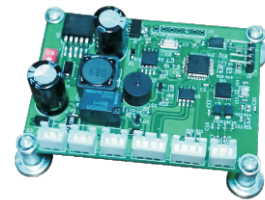
MDU



Energy Saving Device



Elevator controller, wireless



Elevator controller

Hotel System Frame

