

# ACTIVE IR BEAMS

**SECURE YOUR PERIMETER  
WITH BEAM TECHNOLOGY**



**Wireless (50m) and  
Wired (100m)**



**Single Man  
Alignment with Built in  
Audio/Visual Aids**



**Prebuilt Units for  
Simple Ordering  
and Installation**



**All Wireless Models  
Include Free Batteries**

## **A Guide to Active Infra-Red Beams**

Politec, an Italian company with over 25 years' experience in perimeter detection design have collaborated with Luminite, a UK company with 35 years expertise in PIR detection and wireless transmission technology, to offer a new range of Active IR Beams that offer a robust and reliable intruder detection solution. Politec beams are distributed exclusively in the UK by QED, Quality Essential Distribution.

Once set up using our quick and easy Single Man Alignment (SMA) technology, beams are proven to give reliable detection with low false alarm rates.

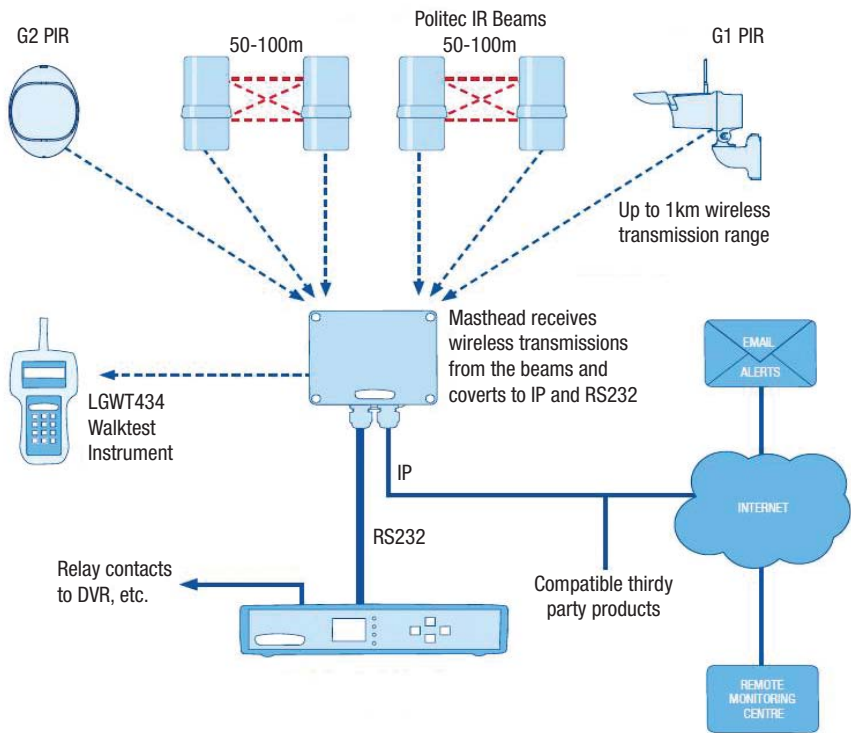
There are four product ranges each giving a different solution whether you are protecting a large commercial property, farm, retail outlet, building site or domestic property.

All ranges are available in WIRELESS or HARD WIRED versions.

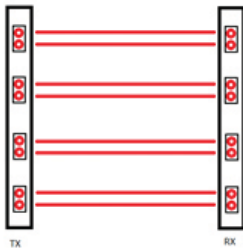
Wireless beams are supplied with batteries and are fitted with Genesis transmitters to facilitate long range transmission and compatibility with the Luminite Genesis product range.

Active IR Beams work in pairs with a transmitter at one end and a receiver at the other. Each transmitter emits a pulsed beam of IR light which is detected by the receiving tower. Any object breaking the beam will be detected and will generate an alarm to the masthead receiver.

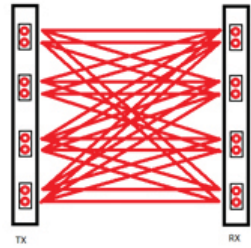
Politec Active IR Beams are weatherproof and detection distances vary from 5 metres up to 100 metres depending on the range and model chosen. The number of beams will vary with each product. Each beam has dual optics so 2 transmitters and 2 receivers in a SANDOR pair, for example, will give you 4 beams. SANDOR and PARVIS beams can be set as parallel or crossed. ALES and SADRIN are parallel only.



## Beam Patterns



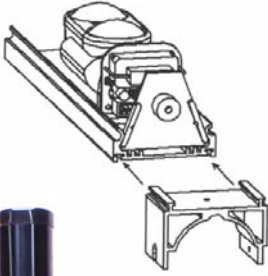
- Single Engineer Set Up
- Audible Setup Aid
- Visual Setup Aid
- Wired / Wireless Options
- Easy Ordering
- High Quality



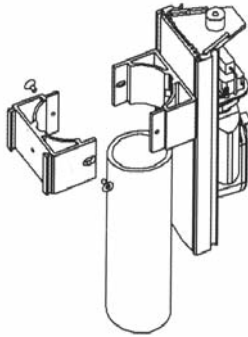
## MINIMUM DISTANCES FOR CROSSED BEAMS ON SANDOR AND PARVIS MODELS

(please note that there is NO minimum distance for parallel configuration)

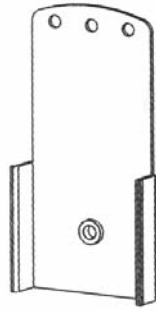
SANDOR 50 or 60cm high	2 metres
SANDOR & PARVIS 100 or 120cm high	4 metres
SANDOR & PARVIS 150 or 160cm high	6 metres



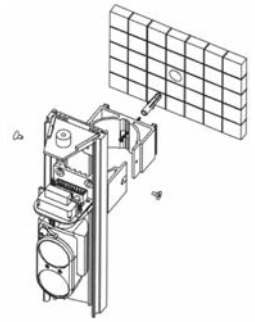
**BRACKET  
INSTALLATION**



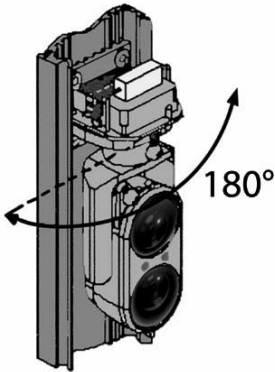
**POLE MOUNT  
KIT (SAN/PL)**



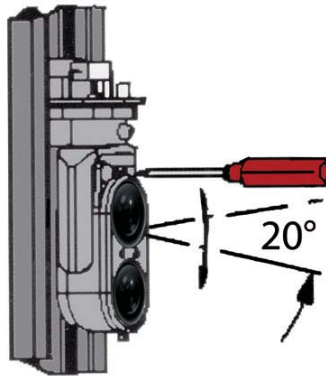
**WALL MOUNT  
KIT (SAN/SD)**



**WALL MOUNT  
KIT (SAN/PL)**



**HORIZONTAL  
ADJUSTMENT 180°**



**VERTICAL  
ADJUSTMENT 180°**



**OPTICS**



## **SANDOR RANGE**

**SANDOR** beams are sold in pairs and available in WIRELESS and HARD WIRED versions. Beams sets are available in various lengths from 60cm up to 250cm for wireless and 50cm to 400cm for wired. The number of IR transmitters and receivers required can be specified. Beams can be crossed or parallel – please refer to information guide for minimum distances.

### **Example:**

A wireless set of beams 60cm high has two dual optic transmitters in one column (four beams) and two dual optic receivers in the other. This part code is SANDOR SMA WS205 and includes batteries and a Luminite wireless transmitter.

Installation is quick and easy with Politec's unique Single Man Alignment (SMA) technology using simple audible and visual set up. The receiving beam employs a buzzer and high visibility LED when the transmitting beam is aligned. An infrared filter is included with all SANDOR beam sets for fine tuning.

SANDOR beams can be mounted on a gate or wall using the supplied wall mounting kit. Beam sets can also be mounted on a 1m or 2m pole. These poles are zinc coated – SAN/TB1 or SAN/TB2. A pole mounting kit will be needed for this application - SAN/PL.

Full protection is provided covering alarm, tamper, low battery and fog alert. AND/OR gating is selectable on all beams, and response and output functions can be set using dip switches. SANDOR columns are compatible with the PARVIS range.

### **WIRELESS**

Wireless SANDOR beams are fitted with Genesis transmitters making them compatible with the Luminite Genesis product range.

Detection range is 50m when used externally and 200m when used internally. The wireless transmission range is up to 500m line of sight, or further when a high gain aerial (AE434mag3db) is fitted to the masthead receiver (LGMT434, LGIPMT434 or LGMRU4x4).

Each beam set works off two Lithium D cell batteries (supplied) irrespective of the number of IR transmitters or receivers fitted. Low battery alert is both audible and transmitted wirelessly to the Luminite Genesis system. Typical battery life is 2 – 3 years although this can vary depending on the number of beams installed in the column. For longer beam sets it is possible to add an extra Lithium D cell battery per column to extend the life of the batteries.

### **HARD WIRED**

External detection range is 100 metres and the internal range is 400m. The recommended cable is 7208S 8 Core Screened Alarm Cable or 2 Core 0.5mm 2 Core Mains Flex depending on the physical environment.

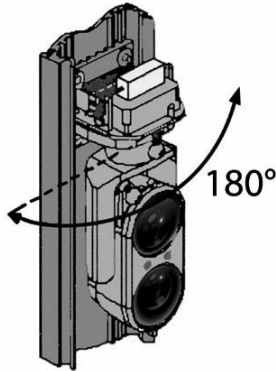
IP65 rated.



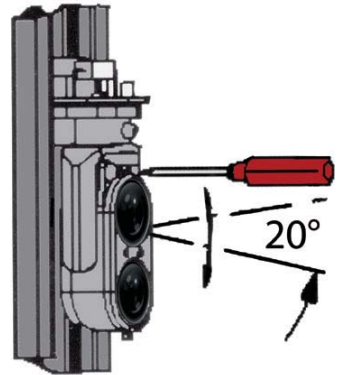
WIRELESS ALES



OPTICS



HORIZONTAL  
ADJUSTMENT 180°



VERTICAL  
ADJUSTMENT 180°





## **ALES RANGE**

**ALES** is a cost effective dual beam detector for external or internal use. The beam sets are sold in pairs and available in WIRELESS and HARD WIRED versions.

Installation is quick and easy with Politec's unique Single Man Alignment (SMA) technology using simple audible and visual set up. The receiving beam employs a buzzer and high visibility LED when the transmitting beam is aligned. Beams can be adjusted by 20° vertically or 180° horizontally.

All ALES beam sets come complete with brackets for wall or pole mounting. There are two zinc-coated pole lengths available – 1 metre or 2 metres (see Accessories).

Full protection is provided covering alarm, tamper, low battery and fog alert. Fog may inhibit the use of the equipment. AND/OR gating is selectable on all beams and response and output functions can be set using dip switches.

### **WIRELESS**

Wireless ALES beams are fitted with Luminite transmitters making them compatible with the Luminite Genesis product range.

Detection range is 50m when used externally and 200m when used internally. The wireless transmission range is up to 500m line of sight, or further when a high gain aerial (AE434mag3db) is fitted to the masthead receiver (LGMT434, LGIPMT434 or LGMRU4x4).

Wireless ALES beams use eight Lithium AA cell batteries (4 in the transmitter and 4 in the receiver) . These are supplied already fitted. A low battery audible alert has also been built in. Typical battery life is 2 – 3 years.

### **HARD WIRED**

The external detection range is 60m for the ALES 60 or 120m for the ALES 120. The internal detection range is 250m and 480m respectively. A 12v DC power supply is required. Beam sets can also be heat controlled when used with the thermostat kit (ALES TS) – for use in large, open air installations where condensation can be a problem.

IP65 rated.

## PARVIS RANGE

**PARVIS** beams are sold as a single free standing column and can work in combination with SANDOR 2, 3 and 4 beam sets. They are available in **WIRELESS** and **HARD WIRED** versions.

Each single column can be fitted with up to 4 receiving and 4 transmitting beams. Columns vary in lengths from 120cm to 300cm depending on the number of beams required.

Installation is quick and easy with Politec's unique Single Man Alignment (SMA) technology using simple audible and visual set up. The receiving beam employs a buzzer and high visibility LED when the transmitting beam is aligned.

PARVIS beams are not designed to be wall or gate mounted – they are free standing columns. An optional Cable Pit (POB30) is available which can be used in concrete or soil.

### WIRELESS

Wireless PARVIS columns are fitted with Genesis transmitters making them compatible with the Luminite Genesis product range.

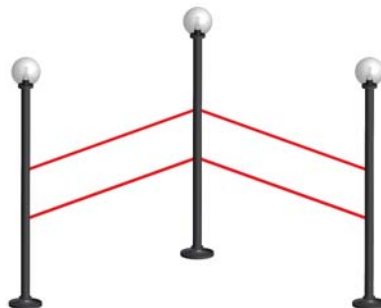
The external detection range is 50m and the internal range is 200m. The wireless transmission range is up to 500m line of sight, or further when a high gain aerial (AE434mag3db) is fitted to the masthead receiver (LGMT434 / LGIPMT434 or LGMRU4x4).

Each column works off one Lithium D cell battery where there are 2 transmitters and 2 receivers fitted. Two batteries are supplied for columns containing 3 or 4 transmitters and receivers.

### HARD WIRED

The external detection range is 100m and the internal range is 400m. There is an option for a 30cm lamp bowl to be fitted to hard wired PARVIS columns to create light and an aesthetically pleasing finish. The lamps use a 100w bulb supplied at 230v. They are easily fitted to the top of the PARVIS column using an E27 cap and can be dimmed.

IP54 rated.



CABLE PIT



## SADRIN RANGE

**SADRIN** beams are designed to be fitted to doors and windows to provide a secure external or internal environment for both domestic and business use.

They are available in **HARD WIRED** and **WIRELESS** versions and come in black or white.

The external detection range for black hard wired Sadrin beams is 15m and 5m for white and the internal range is 30m for black and 10m for white. The external detection range for black wireless Sadrin beams is 10m and 3m for white. Up to 10 dual optical beams can be fitted (8 for the wireless version) and enclosures vary in height from 50cm up to 300cm. Sadrin offers a high immunity to sunlight and false alarms in general.

Sadrin beams are housed in an anodized aluminium frame with a black or white polycarbonate front and are designed to be fitted between the glass and the door or window frame.

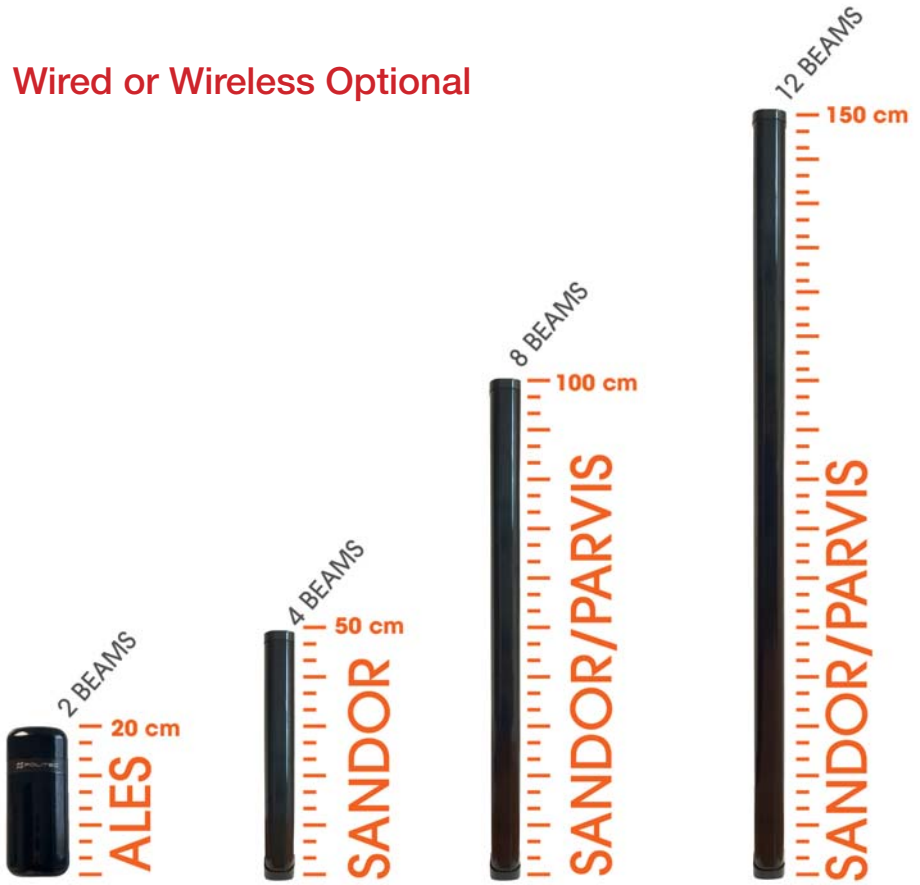
Wireless SADRIN WSI beams are fitted with Lithium AA cells with a typical life of up to 2 years depending on the number of beams.

Installation of wireless SADRIN beams is quick and easy with Politec's unique Single Man Alignment (SMA) technology using simple audible and visual set up. The receiving beam employs a buzzer and high visibility LED when the transmitting beam is aligned.

IP54 rated.



## Wired or Wireless Optional



## IR BEAM BARRIER

There are a wide variety of models available in the range, from a simple **ALES** dual beam barrier up to the 8 dual optic **SANDOR** models giving you 16 beam paths.

These can be configured in a parallel or crossed pattern to give the maximum security protection for larger perimeters.

## **ACCESSORIES**

Stand alone WIRELESS battery beams are compatible with Luminite Genesis wireless products.

Talk to Luminite or your approved distributor for further details on the Politec range.

## **ALES RANGE**

ALES TS            Thermostat kit for hard wired ALES 60 & ALES 120

## **SANDOR RANGE**

SAN/SD            Wall mounting kit. 2 kits required per pair – these are already supplied

SAN/PL            Pole or wall mounting kit – 2 required per pair

SAN/TB1           Zinc coated 1 metre high pole (dia 49mm)

SAN/TB2           Zinc coated 2 metre high pole (dia 49mm)

## **PARVIS RANGE**

POB30            Cable pit for Parvis columns

LAMP30           30cm lamp bowl for hard wired Parvis column

**DISTRIBUTED EXCLUSIVELY IN THE UK BY  
QUALITY ESSENTIAL DISTRIBUTION LTD**



**QUALITY  
ESSENTIAL  
DISTRIBUTION**

TECHNOLOGY · SECURITY · SOLUTIONS

**TEL: 0845 833 9180  
EMAIL: [sales@qedgroup.co.uk](mailto:sales@qedgroup.co.uk)**