

Technical Data Sheet

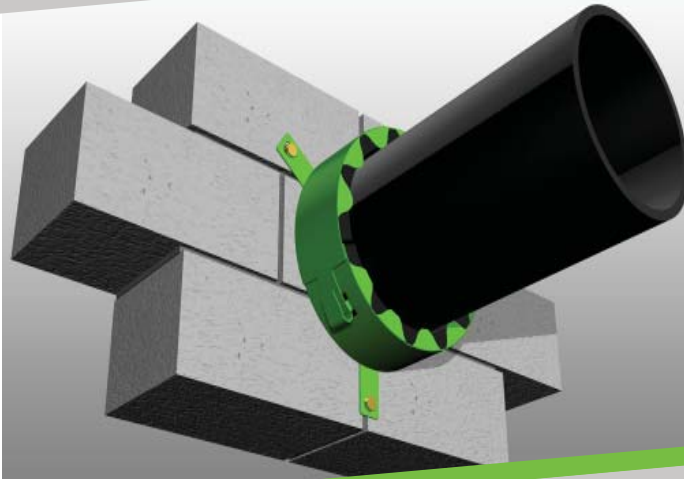
PipeBloc PCP Collars

UIC of product-type: PCP

Issue: 2.1
Jan 2017



CE Certification
Is Air Permeability
Movement Rigid Walls
Pipes Linear joints
Is Acoustic Rating
Trays Rigid Floors
es CE Certification
Air Permeability



CE Certific
Penetration Seals
Movement Rigid W
Metallic Pipes Lin
Flexible Walls Ac
Cable Trays Rigid
Plastic Pipes CE C
Air Permeability



UAE Certificate of Compliance

دديت مل ا كيرعل ات ار ام ال ا تلود
يولخ ادل ا قر ازو
ين دمل ا ع ف د ل ل م اعن ا كد ل قول ا
ي مل اعن ات اريستخ مل ا د ا مبح ا ن ج ل
بييرفئل ا ده اع مو تريلخ ات و تيو



APPROVED
CF5367



ETA 15-0489
CE-1121-CPR-JA5080



EU

FSi Limited
Westminster Industrial Estate
Tamworth Road
Measham
DE12 7DS
UK

www.fsilttd.com
Email: technical@fsilttd.com
Tel: +44 (0) 1530 515130
Fax: +44 (0) 1530 273564





Contents

Contents	Page
• Product Technical Data	1 - 2
- Product Overview	
• Performance Data - Wall	3 - 5
- 100mm Rigid and Flexible Walls	
- 150mm Rigid and Flexible Walls	
• Performance Data - Floor	6 - 10
- 150mm Rigid Floor	
• Performance Data - Batt	11 - 16
- 100mm Rigid and Flexible Walls	



Product Technical Data

ETA 15-0489
CE-1121-CPR-JA5080

Product Overview

The Description of the Product

PipeBloc PCP Collars are designed and tested to seal service penetration apertures containing plastic and metallic pipes with insulation or cables. They are developed to provide a high volume expansion and pressure seal during a fire. The PipeBloc PCP Collars offers EI120 and EI240 tested results to EN1366-3, the maximum diameter available being 250mm. The ultra thin design of PipeBloc PCP Collars means the collar shell can give a depth of 30mm and 40mm ensuring that they can be installed into the tightest of locations. PipeBloc PCP Collars can be installed on flexible wall, rigid wall, rigid floor constructions and in Stopseal Batt seals.

PipeBloc PCP Collars is used around combustible pipes to form a penetration seal and to reinstate the fire resistance performance of wall and floor constructions, where they have been provided with apertures for the penetration of combustible pipe services.

PipeBloc PCP Collars includes an intumescent component incorporated into a mild steel case to close any gaps and to provide a closure of combustible pipes when heated to prevent the passage of fire.

PipeBloc PCP Collars are supplied in assembled form, without fixings. The collar is wrapped around the pipe at the soffit or both faces of walls, depending on application.

Intended Use

The specific elements of construction that the system PipeBloc PCP Collars may be used in as follows.

- Suitable for use with flexible walls with ≥ 100 mm minimum thickness, rigid wall with ≥ 100 mm minimum thickness and rigid floors with 150mm minimum thickness also within the Stopseal Batt system.

Key Product Points

- Allows thermal and mechanical movement of pipe.
- Halogen free, contains no asbestos or ceramic and is environmentally friendly.
- Ease of fixing to suit location - 5 fixing types available.
- Not effected by fungus, vermin, rodents or moisture.
- Conditioned to Type X: -20°C to $+70^{\circ}\text{C}$ with accordance with EOTR 024 and Etag 026.



Product Technical Data

ETA 15-0489
CE-1121-CPR-JA5080

Description	Result	Test Standards
Pipe Diameter	32mm, 40mm, 50mm, 55mm, 63mm, 75mm, 82mm, 90mm, 100mm, 110mm, 125mm, 140mm, 160mm, 200mm and 250mm	
Plastic types	PVC-U, PVC-C, ABS, SAN + PVC, PE-HD, PE, PP	
Fire Resistance Rigid Floors	EI 240 - Floor (underside)	EN 1366-3:2009
Fire Resistance Flexible & Rigid Walls	EI 120 - Wall (one each side)	EN 1366-3:2009
Expansion Rate	20:1	EOTA TR 024
Expansion Pressure N/mm ²	1.30	EOTA TR 024
Working Temperature	-20°C to +120°C	
Colour / Appearance	Green Steel - 3 Fixing Tabs	
Fixing Detail	3 No 60mm x 6mm Expanding Anchors Rigid Floors 3 No Size 70 Wood Screws Rigid Walls 3 No 65 mm Spider Fixings Flexible Walls 3 No 35mm Tap in Fixings Rigid Wall and Floors 3 No 80mm Pig tails for Batt installation	

Installation

Ensure that the aperture and services in question are tested with PipeBloc PCP Collars, and the site conditions are within the application specification. An annular space needs to be present around the service to apply sufficient installation depth of Pyrocoustic Sealant.

All services and apertures need to be clean and clear of all dust and loose particles. The aperture temperature needs to be at 5°C or above at time of installation.

Upon installation make sure that you fill in the annular gap around the pipe maximum 10mm annular, install the PipeBloc PCP Collars around the pipe and fix the collar to the wall or floor with the recommended fixings.



Performance Data - Walls

ETA 15-0489
CE-1121-CPR-JA5080

Substrates

The walls shall be a minimum of **100mm thick**. Drywalls shall comprise a minimum of 2 layers of 'Type F' Gypsum board on both faces, with minimum 50mm studs. Masonry / Concrete walls shall have a minimum density for concrete or brick of 780kg/m³ and for aerated concrete blocks of 600kg/m³. All walls shall have at least the same fire resistance as that required for the sealing system.

Service support requirements

Services should be rigidly supported via steel angles, hangers or channels, not further than 400mm from the surface of the sealing system on both faces on both faces of the wall and the top side of the floor unless specified otherwise in the performance data.

Terminology

Fire performance in accordance with EN1366-3, EN1366-4, Classification 13501-2:2007 + A1:2009, ETAG-026, Air Permeability EN1026, Sound EN10140. Fire resistance classes are: E = Integrity, the product can withstand the fire from the non-fire side, I =Insulation, the product can withstand the temperature travelling down the service, U/U = Uncapped inside and outside the furnace, U/C = Uncapped inside and Capped outside the furnace, C/U = Capped inside and Uncapped outside the furnace.

FLEXIBLE OR RIGID WALL

PipeBloc PCP Collars, face fixed to both sides of the wall with a minimum thickness of 100mm PVC Pipes.

Penetration Specification	Collar Reference	Intumescent Material	Annulus Space (mm)	Classification
PVC Pipe 32mm ø 1.8mm wall thickness.	32 mm PipeBloc PCP Collars	30 mm (W) x 4mm (T)	10	EI 120 U/C
PVC Pipe 40mm ø 1.8mm wall thickness.	40 mm PipeBloc PCP Collars			
PVC Pipe 50mm ø 1.8mm wall thickness.	50 mm PipeBloc PCP Collars	30 mm (W) x 6mm (T)		
PVC Pipe 55mm ø 2.3 - 3.0mm wall thickness.	55 mm PipeBloc PCP Collars			
PVC Pipe 63mm ø 2.3 - 3.0mm wall thickness.	63 mm PipeBloc PCP Collars	30 mm (W) x 8mm (T)		
PVC Pipe 75mm ø 3.1 - 4.8mm wall thickness.	75 mm PipeBloc PCP Collars			
PVC Pipe 82mm ø 3.1 - 4.8mm wall thickness.	82 mm PipeBloc PCP Collars	30 mm (W) x 10mm (T)		
PVC Pipe 90mm 4.2 - 7.4mm wall thickness.	90 mm PipeBloc PCP Collars			
PVC Pipe 100mm ø 4.2 - 7.4mm wall thickness.	100 mm PipeBloc PCP Collars	40 mm (W) x 12mm (T)		
PVC Pipe 110mm ø 4.2 - 7.2mm wall thickness.	110 mm PipeBloc PCP Collars			
PVC Pipe 125mm ø 6.0mm wall thickness.	125 mm PipeBloc PCP Collars	40 mm (W) x 16mm (T)		
PVC Pipe 140mm ø 6.1 - 7.5mm wall thickness.	140 mm PipeBloc PCP Collars			
PVC Pipe 160mm ø 6.2 - 9.5mm wall thickness.	160 mm PipeBloc PCP Collars	40 mm (W) x 18mm (T)		



Performance Data - Walls

ETA 15-0489
CE-1121-CPR-JA5080

FLEXIBLE OR RIGID WALL

PipeBloc PCP Collars, face fixed to both side of the wall with a minimum thickness of 100mm PP Pipes.

Penetration Specification	Collar Reference	Intumescent Material	Annulus Space (mm)	Classification
PP Pipe 32mm \varnothing 2.9mm wall thickness.	32 mm PipeBloc PCP Collars	30 mm (W) x 4mm (T)	10	EI 120 U/C
PP Pipe 40mm \varnothing 2.9mm wall thickness.	40 mm PipeBloc PCP Collars			
PP Pipe 50mm \varnothing 2.9mm wall thickness.	50 mm PipeBloc PCP Collars			
PP Pipe 55mm \varnothing 2.9 - 4.4mm wall thickness.	55 mm PipeBloc PCP Collars	30 mm (W) x 6mm (T)		
PP Pipe 63mm \varnothing 2.9 - 4.4mm wall thickness.	63 mm PipeBloc PCP Collars			
PP Pipe 75mm \varnothing 2.8 - 6.7mm wall thickness.	75 mm PipeBloc PCP Collars	30 mm (W) x 8mm (T)		
PP Pipe 82mm \varnothing 2.8 - 6.7mm wall thickness.	82 mm PipeBloc PCP Collars			
PP Pipe 90mm \varnothing 2.7 - 10.0mm wall thickness.	90 mm PipeBloc PCP Collars	30 mm (W) x 10mm (T)		
PP Pipe 100mm \varnothing 2.7 - 10.0mm wall thickness.	100 mm PipeBloc PCP Collars			
PP Pipe 110mm \varnothing 2.7 - 10.0mm wall thickness.	110 mm PipeBloc PCP Collars			
PP Pipe 125mm \varnothing 3.1mm wall thickness.	125 mm PipeBloc PCP Collars	40 mm (W) x 12mm (T)		
PP Pipe 140mm \varnothing 3.5 - 8.0mm wall thickness.	140 mm PipeBloc PCP Collars	40 mm (W) x 16mm (T)		
PP Pipe 160mm \varnothing 4.0 -14.6mm wall thickness.	160 mm PipeBloc PCP Collars	40 mm (W) x 18mm (T)		

PipeBloc PCP Collars, face fixed to both sides of the wall with a minimum thickness of 100mm PE Pipes.

Penetration Specification	Collar Reference	Intumescent Material	Annulus Space (mm)	Classification
PE Pipe 32mm \varnothing 2.9mm wall thickness.	32 mm PipeBloc PCP Collars	30 mm (W) x 4mm (T)	10	EI 120 U/C
PE Pipe 40mm \varnothing 2.9mm wall thickness.	40 mm PipeBloc PCP Collars			
PE Pipe 50mm \varnothing 2.9mm wall thickness.	50 mm PipeBloc PCP Collars			
PE Pipe 55mm \varnothing 2.9 - 4.4mm wall thickness.	55 mm PipeBloc PCP Collars	30 mm (W) x 6mm (T)		
PE Pipe 63mm \varnothing 2.9 - 4.4mm wall thickness.	63 mm PipeBloc PCP Collars			
PE Pipe 75mm \varnothing 2.8 - 6.7mm wall thickness.	75 mm PipeBloc PCP Collars	30 mm (W) x 8mm (T)		
PE Pipe 82mm \varnothing 2.8 - 6.7mm wall thickness.	82 mm PipeBloc PCP Collars			
PE Pipe 90mm \varnothing 2.7 - 10.0mm wall thickness.	90 mm PipeBloc PCP Collars	30 mm (W) x 10mm (T)		
PE Pipe 100mm \varnothing 2.7 - 10.0mm wall thickness.	100 mm PipeBloc PCP Collars			
PE Pipe 110mm \varnothing 2.7 - 10.0mm wall thickness.	110 mm PipeBloc PCP Collars			
PE Pipe 125mm \varnothing 3.1mm wall thickness.	125 mm PipeBloc PCP Collars	40 mm (W) x 12mm (T)		
PE Pipe 140mm \varnothing 3.9 - 5.8mm wall thickness.	140 mm PipeBloc PCP Collars	40 mm (W) x 16mm (T)		
PE Pipe 160mm \varnothing 4.9 - 9.5mm wall thickness.	160 mm PipeBloc PCP Collars	40 mm (W) x 18mm (T)		



Performance Data - Walls

ETA 15-0489
CE-1121-CPR-JA5080

RIGID WALL

PipeBloc PCP Collars, face fixed to both sides of the Rigid Wall with a minimum thickness of 100mm PP Pipes.

Penetration Specification	Collar Reference	Intumescent Material	Annulus Space (mm)	Classification
PP Pipe 110mm \varnothing 2.7mm wall thickness.	110 mm PipeBloc PCP Collars	30 mm (W) x 10mm (T)	10	EI 120 U/U
PP Pipe 160mm \varnothing 4.0mm wall thickness.	160 mm PipeBloc PCP Collars	40 mm (W) x 18mm (T)		EI 120 U/U
PP Pipe 250mm \varnothing 6.2mm wall thickness.	250 mm PipeBloc PCP Collars	40 mm (W) x 24mm (T)		EI 120 U/C



Performance Data - Floor

ETA 15-0489
CE-1121-CPR-JA5080

Substrates

The floors shall be a minimum of **150mm thick**. Masonry / Concrete floors shall have a minimum density for concrete or brick of 780kg/m³ and for aerated concrete blocks of 600kg/m³. All floors shall have at least the same fire rating as that required for the Sealing system.

Service support requirements

Services should be rigidly supported via steel angles, hangers or channels, not further than 400mm from the surface of the sealing system on both faces unless specified otherwise in the performance data.

Terminology

Fire performance in accordance with EN1366-3, EN1366-4, Classification 13501-2:2007 + A1:2009, ETAG-026, Air Permeability EN1026, Sound EN10140. Fire resistance classes are: E = Integrity, the product can withstand the fire from the non-fire side, I =Insulation, the product can withstand the temperature travelling down the service, U/U = Uncapped inside and outside the furnace, U/C = Uncapped inside and Capped outside the furnace, C/U = Capped inside and Uncapped outside the furnace.

RIGID FLOOR

PipeBloc PCP Collars, face fixed on the underside of Rigid Floor with a minimum thickness of 150mm PVC Pipes.

Penetration Specification	Collar Reference	Intumescent Material	Annulus Space (mm)	Classification
PVC Pipe 32mm ø 1.8mm wall thickness.	32 mm PipeBloc PCP Collars	30 mm (W) x 4mm (T)	10	EI 240 U/C
PVC Pipe 40mm ø 1.8mm wall thickness.	40 mm PipeBloc PCP Collars			
PVC Pipe 50mm ø 1.8mm wall thickness.	50 mm PipeBloc PCP Collars			
PVC Pipe 55mm ø 2.3 - 3.0mm wall thickness.	55 mm PipeBloc PCP Collars	30 mm (W) x 6mm (T)		
PVC Pipe 63mm ø 2.3 - 3.0mm wall thickness.	63 mm PipeBloc PCP Collars			
PVC Pipe 75mm ø 3.1 - 4.8mm wall thickness.	75 mm PipeBloc PCP Collars	30 mm (W) x 8mm (T)		
PVC Pipe 82mm ø 3.1 - 4.8mm wall thickness.	82 mm PipeBloc PCP Collars			
PVC Pipe 90mm 4.2 - 7.4mm wall thickness.	90 mm PipeBloc PCP Collars	30 mm (W) x 10mm (T)		
PVC Pipe 100mm ø 4.2 - 7.4mm wall thickness.	100 mm PipeBloc PCP Collars			
PVC Pipe 110mm ø 4.2 - 7.2mm wall thickness.	110 mm PipeBloc PCP Collars			
PVC Pipe 125mm ø 6.0mm wall thickness.	125 mm PipeBloc PCP Collars	40 mm (W) x 12mm (T)		
PVC Pipe 140mm ø 6.1 - 7.5mm wall thickness.	140 mm PipeBloc PCP Collars	40 mm (W) x 16mm (T)		
PVC Pipe 160mm ø 6.2 - 9.5mm wall thickness.	160 mm PipeBloc PCP Collars	40 mm (W) x 18mm (T)		



Performance Data - Floor

ETA 15-0489
CE-1121-CPR-JA5080

RIGID FLOOR

PipeBloc PCP Collars, face fixed on the underside of Rigid Floor with a minimum thickness of 150mm PP Pipes.

Penetration Specification	Collar Reference	Intumescent Material	Annulus Space (mm)	Classification
PP Pipe 32mm \varnothing 2.9mm wall thickness.	32 mm PipeBloc PCP Collars	30 mm (W) x 4mm (T)	10	EI 240 U/C
PP Pipe 40mm \varnothing 2.9mm wall thickness.	40 mm PipeBloc PCP Collars			
PP Pipe 50mm \varnothing 2.9mm wall thickness.	50 mm PipeBloc PCP Collars			
PP Pipe 55mm \varnothing 2.9 - 4.4mm wall thickness.	55 mm PipeBloc PCP Collars	30 mm (W) x 6mm (T)		
PP Pipe 63mm \varnothing 2.9 - 4.4mm wall thickness.	63 mm PipeBloc PCP Collars			
PP Pipe 75mm \varnothing 2.8 - 6.7mm wall thickness.	75 mm PipeBloc PCP Collars	30 mm (W) x 8mm (T)		
PP Pipe 82mm \varnothing 2.8 - 6.7mm wall thickness.	82 mm PipeBloc PCP Collars			
PP Pipe 90mm \varnothing 2.7 - 10.0mm wall thickness.	90 mm PipeBloc PCP Collars	30 mm (W) x 10mm (T)		
PP Pipe 100mm \varnothing 2.7 - 10.0mm wall thickness.	100 mm PipeBloc PCP Collars			
PP Pipe 110mm \varnothing 2.7 - 10.0mm wall thickness.	110 mm PipeBloc PCP Collars			
PP Pipe 125mm \varnothing 3.1mm wall thickness.	125 mm PipeBloc PCP Collars	40 mm (W) x 12mm (T)		
PP Pipe 140mm \varnothing 3.5 - 8.0mm wall thickness.	140 mm PipeBloc PCP Collars	40 mm (W) x 16mm (T)		
PP Pipe 160mm \varnothing 4.0 - 14.6mm wall thickness.	160 mm PipeBloc PCP Collars	40 mm (W) x 18mm (T)		

PipeBloc PCP Collars, face fixed on the underside of Rigid Floor with a minimum thickness of 150mm PE Pipes.

Penetration Specification	Collar Reference	Intumescent Material	Annulus Space (mm)	Classification
PE Pipe 32mm \varnothing 2.9mm wall thickness.	32 mm PipeBloc PCP Collars	30 mm (W) x 4mm (T)	10	EI 240 U/C
PE Pipe 40mm \varnothing 2.9mm wall thickness.	40 mm PipeBloc PCP Collars			
PE Pipe 50mm \varnothing 2.9mm wall thickness.	50 mm PipeBloc PCP Collars			
PE Pipe 55mm \varnothing 2.9 - 4.4mm wall thickness.	55 mm PipeBloc PCP Collars	30 mm (W) x 6mm (T)		
PE Pipe 63mm \varnothing 2.9 - 4.4mm wall thickness.	63 mm PipeBloc PCP Collars			
PE Pipe 75mm \varnothing 2.8 - 6.7mm wall thickness.	75 mm PipeBloc PCP Collars	30 mm (W) x 8mm (T)		
PE Pipe 82mm \varnothing 2.8 - 6.7mm wall thickness.	82 mm PipeBloc PCP Collars			
PE Pipe 90mm \varnothing 2.7 - 10.0mm wall thickness.	90 mm PipeBloc PCP Collars	30 mm (W) x 10mm (T)		
PE Pipe 100mm \varnothing 2.7 - 10.0mm wall thickness.	100 mm PipeBloc PCP Collars			
PE Pipe 110mm \varnothing 2.7 - 10.0mm wall thickness.	110 mm PipeBloc PCP Collars			
PE Pipe 125mm \varnothing 3.1mm wall thickness.	125 mm PipeBloc PCP Collars	40 mm (W) x 12mm (T)		
PE Pipe 140mm \varnothing 3.9 - 5.8mm wall thickness.	140 mm PipeBloc PCP Collars	40 mm (W) x 16mm (T)		
PE Pipe 160mm \varnothing 4.9 - 9.5mm wall thickness.	160 mm PipeBloc PCP Collars	40 mm (W) x 18mm (T)		



Performance Data - Floor

ETA 15-0489
CE-1121-CPR-JA5080

RIGID FLOOR

PipeBloc PCP Collars, face fixed on the underside of Rigid Floor with a minimum thickness of 150mm PP Pipes.				
Penetration Specification	Collar Reference	Intumescent Material	Annulus Space (mm)	Classification
PP Pipe 110mm \varnothing 2.7mm wall thickness.	110mm PipeBloc PCP Collars	30mm (W) x 10mm (T)	10	EI 120 U/U
PP Pipe 160mm \varnothing 4.0mm wall thickness.	160mm PipeBloc PCP Collars	40mm (W) x 16mm (T)		EI 120 C/U

SILVERSEAL HS COMPOUND

PipeBloc PCP Collars, fixed to the underside of a Silverseal HS Compound floor with a minimum thickness of 100mm PE, ABS & SAN+PVC Pipes.								
Aperture Size	Seal Composition	Services	Collar Reference	Intumescent Material	Capping	Penetration Formation	Collar Fixing	Classification
750mm wide by 1400mm high	100mm thick Silverseal HS Compound.	PE Pipe 32mm \varnothing 2.9mm Wall thickness.	32mm PipeBloc PCP Collars	30mm (W) x 4mm (T)	U/C	Cluster Formation of Pipes with 0mm separation.	Fixed on both sides of wall with a 60mm anchor fixing.	EI 120 U/C
		PE Pipe 40mm \varnothing 2.9mm Wall thickness.	40mm PipeBloc PCP Collars					
		PE Pipe 50mm \varnothing 2.9mm Wall thickness.	50mm PipeBloc PCP Collars					
		PE Pipe 55mm \varnothing 2.9mm - 4.4mm Wall thickness.	55mm PipeBloc PCP Collars	30mm (W) x 6mm (T)				
		PE Pipe 63mm \varnothing 2.9mm - 4.4mm Wall thickness.	63mm PipeBloc PCP Collars	30mm (W) x 8mm (T)				
		PE Pipe 75mm \varnothing 2.8mm - 6.7mm Wall thickness.	75mm PipeBloc PCP Collars					
		PE Pipe 82mm \varnothing 2.8mm - 6.7mm Wall thickness.	82mm PipeBloc PCP Collars	30mm (W) x 10mm (T)				
		PE Pipe 90mm \varnothing 2.7mm - 10.0mm Wall thickness.	90mm PipeBloc PCP Collars					
		PE Pipe 100mm \varnothing 2.7mm - 10.0mm Wall thickness.	100mm PipeBloc PCP Collars					
		PE Pipe 110mm \varnothing 2.7mm - 10.0mm Wall thickness.	110mm PipeBloc PCP Collars					
		PE Pipe 125mm \varnothing 3.1mm Wall thickness.	125mm PipeBloc PCP Collars					
		PE Pipe 140mm \varnothing 3.9mm - 5.8mm Wall thickness.	140mm PipeBloc PCP Collars	40mm (W) x 16mm (T)				
		PE Pipe 160mm \varnothing 4.9mm - 9.5mm Wall thickness.	160mm PipeBloc PCP Collars	40mm (W) x 18mm (T)				



Performance Data - Floor

ETA 15-0489
CE-1121-CPR-JA5080

SILVERSEAL HS COMPOUND

PipeBloc PCP Collars, fixed to the underside of a Silverseal HS Compound floor with a minimum thickness of 100mm PP Pipes.								
Aperture Size	Seal Composition	Services	Collar Reference	Intumescent Material	Capping	Penetration Formation	Collar Fixing	Classification
750mm wide by 1400mm high	100mm thick Silverseal HS Compound.	PP Pipe 32mm Ø 2.9mm Wall thickness.	32mm PipeBloc PCP Collars	30mm (W) x 4mm (T)	U/C	Cluster Formation of Pipes with 0mm separation.	Fixed on both sides of wall with a 60mm anchor fixing.	EI 120 U/C
		PP Pipe 40mm Ø 2.9mm Wall thickness.	40mm PipeBloc PCP Collars					
		PP Pipe 50mm Ø 2.9mm Wall thickness.	50mm PipeBloc PCP Collars					
		PP Pipe 55mm Ø 2.9mm - 4.4mm Wall thickness.	55mm PipeBloc PCP Collars	30mm (W) x 6mm (T)				
		PP Pipe 63mm Ø 2.9mm - 4.4mm Wall thickness.	63mm PipeBloc PCP Collars					
		PP Pipe 75mm Ø 2.8mm - 6.7mm Wall thickness.	75mm PipeBloc PCP Collars	30mm (W) x 8mm (T)				
		PP Pipe 82mm Ø 2.8mm - 6.7mm Wall thickness.	82mm PipeBloc PCP Collars					
		PP Pipe 90mm Ø 2.7mm - 10.0mm Wall thickness.	90mm PipeBloc PCP Collars	30mm (W) x 10mm (T)				
		PP Pipe 100mm Ø 2.7mm - 10.0mm Wall thickness.	100mm PipeBloc PCP Collars					
		PP Pipe 110mm Ø 2.7mm - 10.0mm Wall thickness.	110mm PipeBloc PCP Collars					
		PP Pipe 125mm Ø 3.1mm Wall thickness.	125mm PipeBloc PCP Collars	40mm (W) x 12mm (T)				
		PP Pipe 140mm Ø 3.5mm - 8.0mm Wall thickness.	140mm PipeBloc PCP Collars	40mm (W) x 16mm (T)				
		PP Pipe 160mm Ø 4.0mm - 14.6mm Wall thickness.	160mm PipeBloc PCP Collars	40mm (W) x 18mm (T)				



Performance Data - Floor

ETA 15-0489
CE-1121-CPR-JA5080

SILVERSEAL HS COMPOUND

PipeBloc PCP Collars, fixed to the underside of a Silverseal HS Compound floor with a minimum thickness of 100mm PVC-U & PVC-C Pipes.

Aperture Size	Seal Composition	Services	Collar Reference	Intumescent Material	Capping	Penetration Formation	Collar Fixing	Classification
750mm wide by 1400mm high	100mm thick Silverseal HS Compound.	PVC Pipe 32mm Ø 1.8mm Wall thickness.	32mm PipeBloc PCP Collars	30mm (W) x 4mm (T)	U/C	Cluster Formation of Pipes with 0mm separation.	Fixed on both sides of wall with a 60mm anchor fixing.	EI 120 U/C
		PVC Pipe 40mm Ø 1.8mm Wall thickness.	40mm PipeBloc PCP Collars					
		PVC Pipe 50mm Ø 1.8mm Wall thickness.	50mm PipeBloc PCP Collars					
		PVC Pipe 55mm Ø 2.3mm - 3mm Wall thickness.	55mm PipeBloc PCP Collars	30mm (W) x 6mm (T)				
		PVC Pipe 63mm Ø 2.3mm - 3mm Wall thickness.	63mm PipeBloc PCP Collars					
		PVC Pipe 75mm Ø 3.1mm - 4.8mm Wall thickness.	75mm PipeBloc PCP Collars	30mm (W) x 8mm (T)				
		PVC Pipe 82mm Ø 3.1mm - 4.8mm Wall thickness.	82mm PipeBloc PCP Collars					
		PVC Pipe 90mm Ø 4.2mm - 7.4mm Wall thickness.	90mm PipeBloc PCP Collars	30mm (W) x 10mm (T)				
		PVC Pipe 100mm Ø 4.2mm - 7.4mm Wall thickness.	100mm PipeBloc PCP Collars					
		PVC Pipe 110mm Ø 4.2mm - 7.4mm Wall thickness.	110mm PipeBloc PCP Collars					
		PVC Pipe 125mm Ø 6mm Wall thickness.	125mm PipeBloc PCP Collars	40mm (W) x 12mm (T)				
		PVC Pipe 140mm Ø 6.1mm - 7.5mm Wall thickness.	140mm PipeBloc PCP Collars	40mm (W) x 16mm (T)				
		PVC Pipe 160mm Ø 6.2mm - 9.5mm Wall thickness.	160mm PipeBloc PCP Collars	40mm (W) x 18mm (T)				



Performance Data - Batt

ETA 15-0489
CE-1121-CPR-JA5080

Substrates

The walls shall be a minimum of **100mm thick**. Drywalls shall comprise a minimum of 2 layers of 'Type F' Gypsum board on both faces, with minimum 50mm studs. Masonry / Concrete walls shall have a minimum density for concrete or brick of 780kg/m³ and for aerated concrete blocks of 600kg/m³. All walls shall have at least the same fire resistance as that required for the sealing system.

Service support requirements

Services should be rigidly supported via steel angles, hangers or channels, not further than 400mm from the surface of the sealing system on both faces of the wall and the top side of the floor unless specified otherwise in the performance data.

Terminology

Fire performance in accordance with EN1366-3, EN1366-4, Classification 13501-2:2007 + A1:2009, ETAG-026, Air Permeability EN1026, Sound EN10140. Fire resistance classes are: E = Integrity, the product can withstand the fire from the non-fire side, I =Insulation, the product can withstand the temperature travelling down the service, U/U = Uncapped inside and outside the furnace, U/C = Uncapped inside and Capped outside the furnace, C/U = Capped inside and Uncapped outside the furnace.

STOPSEAL BATT

PipeBloc PCP Collars, face fixed onto Stopseal Batt in Flexible Wall with a minimum thickness of 100mm PE, ABS & SAN+PVC Pipes

Aperture Size	Seal Composition	Services	Collar Reference	Intumescent Material	Capping	Penetration Formation	Collar Fixing	Classification
750mm wide by 1200mm high	Double layer of 50mm thick 140kg/m ³ Stopseal Coated Batt.	PE Pipe 32mm Ø 2.9mm Wall thickness.	32mm PipeBloc PCP Collars	30mm (W) x 4mm (T)	U/C	Cluster Formation of Pipes with 0mm separation.	Fixed on both sides of wall with a 80mm Pig Tail Screw.	EI 120 U/C
		PE Pipe 40mm Ø 2.9mm Wall thickness.	40mm PipeBloc PCP Collars					
		PE Pipe 50mm Ø 2.9mm Wall thickness.	50mm PipeBloc PCP Collars					
		PE Pipe 55mm Ø 2.9mm - 4.4mm Wall thickness.	55mm PipeBloc PCP Collars	30mm (W) x 6mm (T)				
		PE Pipe 63mm Ø 2.9mm - 4.4mm Wall thickness.	63mm PipeBloc PCP Collars	30mm (W) x 8mm (T)				
		PE Pipe 75mm Ø 2.8mm - 6.7mm Wall thickness.	75mm PipeBloc PCP Collars					
		PE Pipe 82mm Ø 2.8mm - 6.7mm Wall thickness.	82mm PipeBloc PCP Collars					
		PE Pipe 90mm Ø 2.7mm - 10.0mm Wall thickness.	90mm PipeBloc PCP Collars	30mm (W) x 10mm (T)				
		PE Pipe 100mm Ø 2.7mm - 10.0mm Wall thickness.	100mm PipeBloc PCP Collars					
		PE Pipe 110mm Ø 2.7mm - 10.0mm Wall thickness.	110mm PipeBloc PCP Collars					
		PE Pipe 125mm Ø 3.1mm Wall thickness.	125mm PipeBloc PCP Collars	40mm (W) x 12mm (T)				
		PE Pipe 140mm Ø 3.9mm - 5.8mm Wall thickness.	140mm PipeBloc PCP Collars	40mm (W) x 16mm (T)				
		PE Pipe 160mm Ø 4.9mm - 9.5mm Wall thickness.	160mm PipeBloc PCP Collars	40mm (W) x 18mm (T)				



Performance Data - Batt

ETA 15-0489
CE-1121-CPR-JA5080

STOPSEAL BATT

PipeBloc PCP Collars, face fixed onto Stopseal Batt in Flexible Wall with a minimum thickness of 100mm PE, ABS & SAN+PVC Pipes								
Aperture Size	Seal Composition	Services	Collar Reference	Intumescent Material	Capping	Penetration Formation	Collar Fixing	Classification
750mm wide by 1200mm high	Pattress installation of 50mm thick 140kg/m ³ Stopseal Coated Batt.	PE Pipe 32mm Ø 2.9mm Wall thickness.	32mm PipeBloc PCP Collars	30mm (W) x 4mm (T)	U/C	Cluster Formation of Pipes with 0mm separation.	Fixed on both sides of wall with a 80mm Pig Tail Screw.	EI 120 U/C
		PE Pipe 40mm Ø 2.9mm Wall thickness.	40mm PipeBloc PCP Collars					
		PE Pipe 50mm Ø 2.9mm Wall thickness.	50mm PipeBloc PCP Collars					
		PE Pipe 55mm Ø 2.9mm - 4.4mm Wall thickness.	55mm PipeBloc PCP Collars	30mm (W) x 6mm (T)				
		PE Pipe 63mm Ø 2.9mm - 4.4mm Wall thickness.	63mm PipeBloc PCP Collars					
		PE Pipe 75mm Ø 2.8mm - 6.7mm Wall thickness.	75mm PipeBloc PCP Collars	30mm (W) x 8mm (T)				
		PE Pipe 82mm Ø 2.8mm - 6.7mm Wall thickness.	82mm PipeBloc PCP Collars					
		PE Pipe 90mm Ø 2.7mm - 10.0mm Wall thickness.	90mm PipeBloc PCP Collars	30mm (W) x 10mm (T)				
		PE Pipe 100mm Ø 2.7mm - 10.0mm Wall thickness.	100mm PipeBloc PCP Collars					
		PE Pipe 110mm Ø 2.7mm - 10.0mm Wall thickness.	110mm PipeBloc PCP Collars					
		PE Pipe 125mm Ø 3.1mm Wall thickness.	125mm PipeBloc PCP Collars	40mm (W) x 12mm (T)				
		PE Pipe 140mm Ø 3.9mm - 5.8mm Wall thickness.	140mm PipeBloc PCP Collars	40mm (W) x 16mm (T)				
		PE Pipe 160mm Ø 4.9mm - 9.5mm Wall thickness.	160mm PipeBloc PCP Collars	40mm (W) x 18mm (T)				



Performance Data - Batt

ETA 15-0489
CE-1121-CPR-JA5080

STOPSEAL BATT

PipeBloc PCP Collars, face fixed onto Stopseal Batt in Flexible Wall with a minimum thickness of 100mm PP Pipes.								
Aperture Size	Seal Composition	Services	Collar Reference	Intumescent Material	Capping	Penetration Formation	Collar Fixing	Classification
750mm wide by 1200mm high	Double layer of 50mm thick 140kg/m ³ Stopseal Coated Batt.	PP Pipe 32mm Ø 2.9mm Wall thickness.	32mm PipeBloc PCP Collars	30mm (W) x 4mm (T)	U/C	Cluster Formation of Pipes with 0mm separation.	Fixed on both sides of wall with a 80mm Pig Tail Screw.	EI 120 U/C
		PP Pipe 40mm Ø 2.9mm Wall thickness.	40mm PipeBloc PCP Collars					
		PP Pipe 50mm Ø 2.9mm Wall thickness.	50mm PipeBloc PCP Collars					
		PP Pipe 55mm Ø 2.9mm - 4.4mm Wall thickness.	55mm PipeBloc PCP Collars	30mm (W) x 6mm (T)				
		PP Pipe 63mm Ø 2.9mm - 4.4mm Wall thickness.	63mm PipeBloc PCP Collars					
		PP Pipe 75mm Ø 2.8mm - 6.7mm Wall thickness.	75mm PipeBloc PCP Collars	30mm (W) x 8mm (T)				
		PP Pipe 82mm Ø 2.8mm - 6.7mm Wall thickness.	82mm PipeBloc PCP Collars					
		PP Pipe 90mm Ø 2.7mm - 10.0mm Wall thickness.	90mm PipeBloc PCP Collars	30mm (W) x 10mm (T)				
		PP Pipe 100mm Ø 2.7mm - 10.0mm Wall thickness.	100mm PipeBloc PCP Collars					
		PP Pipe 110mm Ø 2.7mm - 10.0mm Wall thickness.	110mm PipeBloc PCP Collars					
		PP Pipe 125mm Ø 3.1mm Wall thickness.	125mm PipeBloc PCP Collars	40mm (W) x 12mm (T)				
		PP Pipe 140mm Ø 3.5mm - 8.0mm Wall thickness.	140mm PipeBloc PCP Collars	40mm (W) x 16mm (T)				
		PP Pipe 160mm Ø 4.0mm - 14.6mm Wall thickness.	160mm PipeBloc PCP Collars	40mm (W) x 18mm (T)				



Performance Data - Batt

ETA 15-0489
CE-1121-CPR-JA5080

STOPSEAL BATT

PipeBloc PCP Collars, face fixed onto Stopseal Batt in Flexible Wall with a minimum thickness of 100mm PP Pipes

Aperture Size	Seal Composition	Services	Collar Reference	Intumescent Material	Capping	Penetration Formation	Collar Fixing	Classification
750mm wide by 1200mm high	Pattress installation of 50mm thick 140kg/m ³ Stopseal Coated Batt.	PP Pipe 32mm Ø 2.9mm Wall thickness.	32mm PipeBloc PCP Collars	30mm (W) x 4mm (T)	U/C	Cluster Formation of Pipes with 0mm separation.	Fixed on both sides of wall with a 80mm Pig Tail Screw.	EI 120 U/C
		PP Pipe 40mm Ø 2.9mm Wall thickness.	40mm PipeBloc PCP Collars					
		PP Pipe 50mm Ø 2.9mm Wall thickness.	50mm PipeBloc PCP Collars					
		PP Pipe 55mm Ø 2.9mm - 4.4mm Wall thickness.	55mm PipeBloc PCP Collars	30mm (W) x 6mm (T)				
		PP Pipe 63mm Ø 2.9mm - 4.4mm Wall thickness.	63mm PipeBloc PCP Collars					
		PP Pipe 75mm Ø 2.8mm - 6.7mm Wall thickness.	75mm PipeBloc PCP Collars	30mm (W) x 8mm (T)				
		PP Pipe 82mm Ø 2.8mm - 6.7mm Wall thickness.	82mm PipeBloc PCP Collars					
		PP Pipe 90mm Ø 2.7mm - 10.0mm Wall thickness.	90mm PipeBloc PCP Collars					
		PP Pipe 100mm Ø 2.7mm - 10.0mm Wall thickness.	100mm PipeBloc PCP Collars	30mm (W) x 10mm (T)				
		PP Pipe 110mm Ø 2.7mm - 10.0mm Wall thickness.	110mm PipeBloc PCP Collars					
		PP Pipe 125mm Ø 3.1mm Wall thickness.	125mm PipeBloc PCP Collars	40mm (W) x 12mm (T)				
		PP Pipe 140mm Ø 3.5mm - 8.0mm Wall thickness.	140mm PipeBloc PCP Collars	40mm (W) x 16mm (T)				
PP Pipe 160mm Ø 4.0mm - 14.6mm Wall thickness.	160mm PipeBloc PCP Collars	40mm (W) x 18mm (T)						



Performance Data - Batt

ETA 15-0489
CE-1121-CPR-JA5080

STOPSEAL BATT

PipeBloc PCP Collars, face fixed onto Stopseal Batt in Flexible Wall with a minimum thickness of 100mm PVC-U & PVC-C Pipes								
Aperture Size	Seal Composition	Services	Collar Reference	Intumescent Material	Capping	Penetration Formation	Collar Fixing	Classification
750mm wide by 1200mm high	Double layer of 50mm thick 140kg/m ³ Stopseal Coated Batt.	PVC Pipe 32mm Ø 1.8mm Wall thickness.	32mm PipeBloc PCP Collars	30mm (W) x 4mm (T)	U/C	Cluster Formation of Pipes with 0mm separation.	Fixed on both sides of wall with a 80mm Pig Tail Screw.	EI 120 U/C
		PVC Pipe 40mm Ø 1.8mm Wall thickness.	40mm PipeBloc PCP Collars					
		PVC Pipe 50mm Ø 1.8mm Wall thickness.	50mm PipeBloc PCP Collars					
		PVC Pipe 55mm Ø 2.3mm - 3mm Wall thickness.	55mm PipeBloc PCP Collars	30mm (W) x 6mm (T)				
		PVC Pipe 63mm Ø 2.3mm - 3mm Wall thickness.	63mm PipeBloc PCP Collars					
		PVC Pipe 75mm Ø 3.1mm - 4.8mm Wall thickness.	75mm PipeBloc PCP Collars	30mm (W) x 8mm (T)				
		PVC Pipe 82mm Ø 3.1mm - 4.8mm Wall thickness.	82mm PipeBloc PCP Collars					
		PVC Pipe 90mm Ø 4.2mm - 7.4mm Wall thickness.	90mm PipeBloc PCP Collars	30mm (W) x 10mm (T)				
		PVC Pipe 100mm Ø 4.2mm - 7.4mm Wall thickness.	100mm PipeBloc PCP Collars					
		PVC Pipe 110mm Ø 4.2mm - 7.4mm Wall thickness.	110mm PipeBloc PCP Collars					
		PVC Pipe 125mm Ø 6mm Wall thickness.	125mm PipeBloc PCP Collars	40mm (W) x 12mm (T)				
		PVC Pipe 140mm Ø 6.1mm - 7.5mm Wall thickness.	140mm PipeBloc PCP Collars	40mm (W) x 16mm (T)				
		PVC Pipe 160mm Ø 6.2mm - 9.5mm Wall thickness.	160mm PipeBloc PCP Collars	40mm (W) x 18mm (T)				

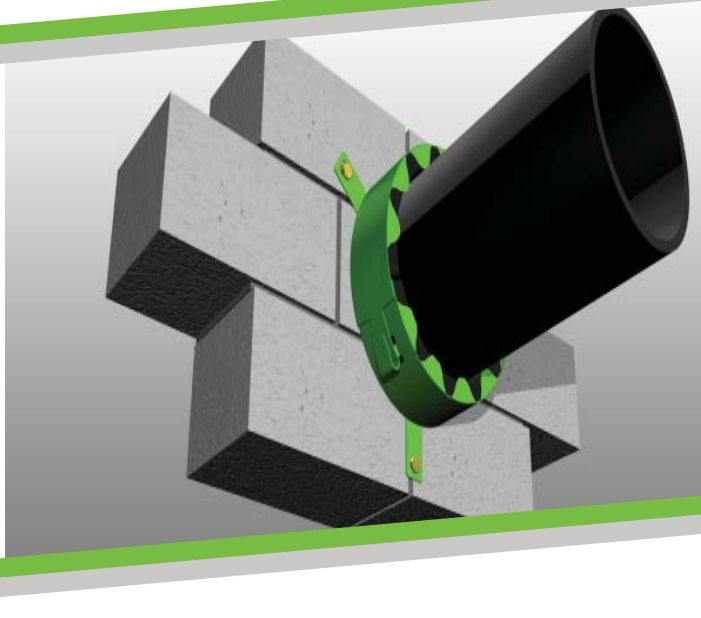
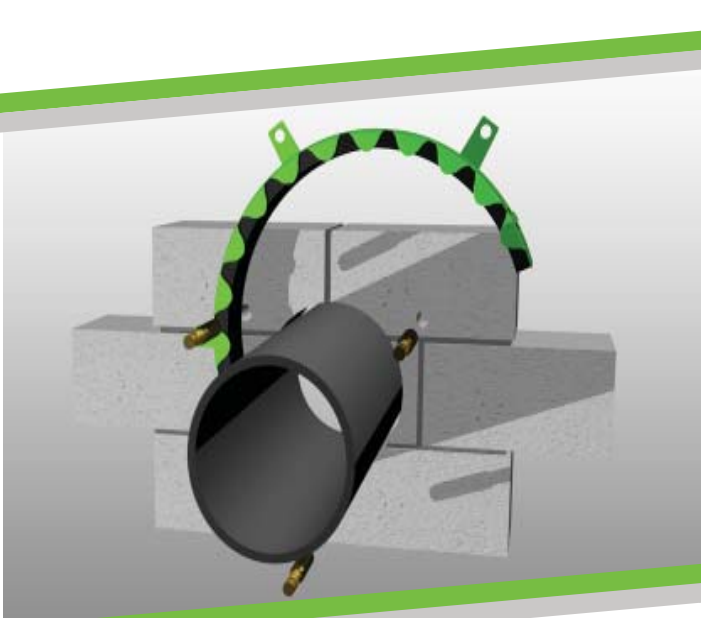
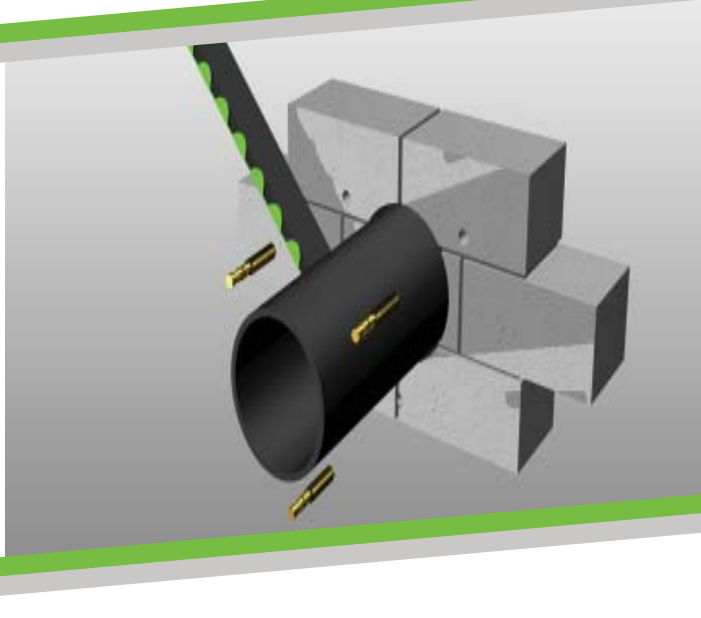
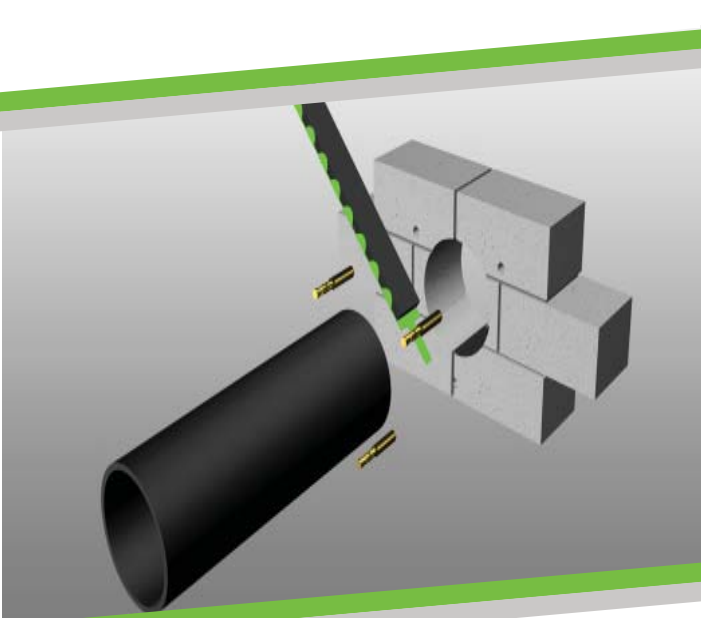


Performance Data - Batt

ETA 15-0489
CE-1121-CPR-JA5080

STOPSEAL BATT

PipeBloc PCP Collars, face fixed onto Stopseal Batt in Flexible Wall with a minimum thickness of 100mm PVC-U & PVC-C Pipes								
Aperture Size	Seal Composition	Services	Collar Reference	Intumescent Material	Capping	Penetration Formation	Collar Fixing	Classification
750mm wide by 1200mm high	Pattress installation of 50mm thick 140kg/m ³ Stopseal Coated Batt.	PVC Pipe 32mm Ø 1.8mm Wall thickness.	32mm PipeBloc PCP Collars	30mm (W) x 4mm (T)	U/C	Cluster Formation of Pipes with 0mm separation.	Fixed on both sides of wall with a 80mm Pig Tail Screw.	EI 120 U/C
		PVC Pipe 40mm Ø 1.8mm Wall thickness.	40mm PipeBloc PCP Collars					
		PVC Pipe 50mm Ø 1.8mm Wall thickness.	50mm PipeBloc PCP Collars					
		PVC Pipe 55mm Ø 2.3mm - 3mm Wall thickness.	55mm PipeBloc PCP Collars	30mm (W) x 6mm (T)				
		PVC Pipe 63mm Ø 2.3mm - 3mm Wall thickness.	63mm PipeBloc PCP Collars					
		PVC Pipe 75mm Ø 3.1mm - 4.8mm Wall thickness.	75mm PipeBloc PCP Collars	30mm (W) x 8mm (T)				
		PVC Pipe 82mm Ø 3.1mm - 4.8mm Wall thickness.	82mm PipeBloc PCP Collars					
		PVC Pipe 90mm Ø 4.2mm - 7.4mm Wall thickness.	90mm PipeBloc PCP Collars	30mm (W) x 10mm (T)				
		PVC Pipe 100mm Ø 4.2mm - 7.4mm Wall thickness.	100mm PipeBloc PCP Collars					
		PVC Pipe 110mm Ø 4.2mm - 7.4mm Wall thickness.	110mm PipeBloc PCP Collars					
		PVC Pipe 125mm Ø 6mm Wall thickness.	125mm PipeBloc PCP Collars	40mm (W) x 12mm (T)				
		PVC Pipe 140mm Ø 6.1mm - 7.5mm Wall thickness.	140mm PipeBloc PCP Collars	40mm (W) x 16mm (T)				
		PVC Pipe 160mm Ø 6.2mm - 9.5mm Wall thickness.	160mm PipeBloc PCP Collars	40mm (W) x 18mm (T)				



FSi has Technical Representatives who provide assistance in the selection and specification of FSi products. For more information, specification and technical advice please call our Head Office on Tel: +44 (0) 1530 515130. Guarantee / Warranty: FSi products are manufactured to rigid standards of quality. Any product which has been applied in accordance with FSi's written instructions and in any application recommended by FSi, but which is proved to be defective in product quality, will be replaced free of charge. No liability can be accepted for the information provided in this document although it is published in good faith and believed to be correct. FSi Limited reserves the right to alter product specifications without prior notice, in line with our Company policy of continuous development and improvement.