

210DOAM1

2MP IR Outdoor Motorized Dome Camera



Main Features

- Enhanced Ultra Low-Light Solution
- Full HD 1080P @30fps
- Motorized lens 3.3~12mm/F1.4
- Smart IR distance effective up to 20M (66ft)
- Analytics (optional)



Product Overview

210DOAM1 is a new H.265 ultra low-light camera to offer outstanding 2MP image quality by using 3.3~12mm motorized lens. The H.265 technology could reduce bandwidth to perform excellent video compression rate with lower data loading for enhancing IP camera performance.

210DOAM1 captures good images under the extreme low-light conditions. It is built-in Smart IR function with IR distance effective upto 20 meters (66ft). DOL WDR can overcome various lighting condition providing crystal clear image output. It is available in outdoor using scenario and suitable for building/public transport/park/tourist attractions surveillance solutions.

H.265++/H.264++

H.265++/H.264++ is the latest next generation of video compression technology. This technology could reduce bandwidth to perform excellent video compression rate with lower storage consumption. Comparing the traditional H.265/H.264, this new technology can save over 50% data flowloading. This helps to enhance IP camera total system performance dramatically.

DOL WDR

DOL WDR can overcome challenging lighting conditions. It is capable of capturing both dark and bright part then combining the differences into a scene to generate a highly realistic image.

1080P @30fps

210DOAM1 supports high-performance H.265/H.264/MJPEG compression technology and offers extra smooth video at up to 30fps in 1080p. Furthermore, Video ROI [Region Of Interest] function reduce bandwidth and storage requirement, providing users with the best option in bandwidth flexibility and storage efficiency.

Smart IR

Smart IR is superior to the traditional IR by automatically adjusting IR output in response to the distance of the object in view. The closer the object, the dimmer the IR will be. This will avoid object over-exposure and commonly be seen in cameras using traditional IR functions. Over-exposure makes it almost impossible to accurately recognize human faces or other vital characteristics.

Specifications

Camera

Image Sensor	1/2.8" 2MP CMOS Progressive sensor
Minimum Resolution	1920(H) x 1080(V)
Lens	Motorized 3.3~12mm F1.4
Iris	Fixed Iris
Field of View	TBD
Smart IR	Effective distance is up to 20M (66ft)
Day and Night	True Day / Night
WDR	DOL WDR
Minimum Illumination	Color 0.05 Lux/ F1.4 B/W 0 Lux/ F1.4
Electronic Shutter Speed	Auto/Manual 1/7~1/10000
Gain Control	Auto/Manual
Backlight Compensation	Yes
White Balance Mode	Auto/Manual
Privacy Masking	5 areas
Image Setting	Brightness, Contrast, Saturation, Sharpness, Mirror, Flip, Corridor
Defog	Support
Digital Image Stabilization (DIS)	Support
Analytics	Optional

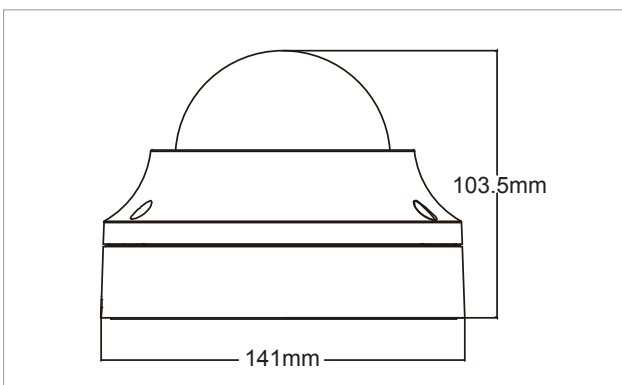
Video

Video Compression	H.265 / H.264 / M-JPEG
Video Streaming	Triple Streaming
Video Resolution	1080p/720p/720x567/720x480/640x480/640x360/320x240
Frame Rate	30fps max.
Bit Rate	64K~8000K

Network

Interface	10/100 Mbps Ethernet, RJ45
Support Protocols	IPv4, IPv6, HTTP, HTTPS, SSL, TCP/IP, UDP, UPnP, RTSP, RTP, SMTP, NTP, DHCP, FTP, Zero Configure
ONVIF	Profile S, G, Q
Users	Live Viewing/Administrator for up to 10 clients
Browsers	Internet Explorer, Google Chrome, Mozilla Firefox

Dimension Drawing



Event Management

Event Trigger	Motion detection 5 areas Tampering detection Alarm in
Notifications	Send/Record message via e-mail/FTP/NAS/SD card, record JPG/mp4

General

PoE	IEEE 802.3af
SD Card	Support (factory optional)
DI/DO	DI*1, DO*1
Weight	950g
Dimension	141X103.5 mm
Operating Temperature	-20°C ~ 50°C (-4°F ~ 122°F)
Storage Temperature	-20°C ~ 70°C (-4°F ~ 158°F)
Humidity	10% ~ 90%RH(no condensation)
Certification	CE/FCC Class A
Waterproof	IP66
Application	SDK available for application development

Packaging Information

NWT	950g
GWT	980g
Dimension	Full carton 12pcs

Ordering Information

- 210DOAM1

Accessory

