

NCm-301-V

3MP Outdoor Vandal Compact Design, Fixed Lens, True WDR, IK10, Image Stabilization, EN-50155, M12 Connector Available



Main Features

- 3MP @20fps, Full HD 1080P @30fps
- Fixed lens 3.6mm F1.8 (option 2.8mm)
- 100dB True WDR
- IK10 vandal resistant
- EN50155 certified
- Image stabilization
- Extreme weather -40°C ~ 60°C/-40°F ~ 140°F
- M12 connector as optional

ONVIF



Product Overview

NEXCOM introduces new mobile dome IP camera offering outstanding 3MP image quality including support for image stabilization function. NCm-301-V IP Camera, available in indoor and outdoor using scenario, are suitable for transportation surveillance solution, True WDR can overcome variation light condition continued to provide crystal clear image output. IP67 makes IP camera ideal for all kind of extremely working behavior.

True WDR

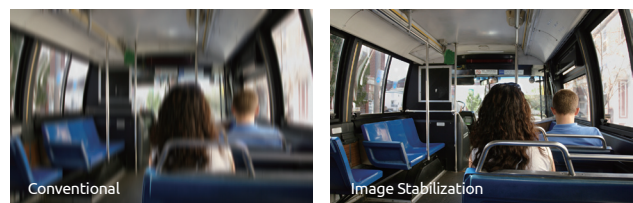
The True WDR (Wide Dynamic Range) feature can be very helpful to cope with very challenging lighting conditions. It is capable of capturing both of the dark part and bright part then combining the differences into a scene to generate a highly realistic image. It preserves as much information in the video as possible, the NexCam True WDR IP Camera helps to provide video quality closer to the capabilities of the human eye. Consequently, it is largely applied in high contrast environments such as lobby entrances, parking lots, ATM's and loading areas.

Extreme Weather

Some NexCam are IP67 and IK10-rated, offering the best protection against extreme weather conditions. By utilizing the latest technologies, operating temperature can range from -40°C to 60°C/-40°F to 140°F.

Image Stabilization

NexCam offers image stabilization technology, which detects vertical/horizontal movements and utilize sophisticated algorithms to counter the unwanted movements. It is especially practical in transportation applications such as moving vehicles and maritime security.



Compact Design

NexCam are available in a compact and rugged design to be less intrusive while still offering strong resistance against vandalism and harsh operating environments.

Specifications

Camera General Information

Image Sensor	1/3" 3MP True WDR progressive scan CMOS sensor
Minimum Illumination	B/W 0.05 lux/Color 0.1 lux
Lens	Fixed Lens 3.6 mm F1.8, option 2.8mm F2.0
Field of View	diagonal 75°/horizontal 55°/vertical 93°
Iris Type	Fixed Iris
Day and Night	YES (Digital D/N)
IR Distance	N/A
IR Wavelength	N/A
IR Control	N/A
ICR	N/A
WDR	YES
Image Enhance	Brightness, Contrast, Saturation, Sharpness, Backlight compensation, Mirror, Flip, Day/Night, Anti-flicker

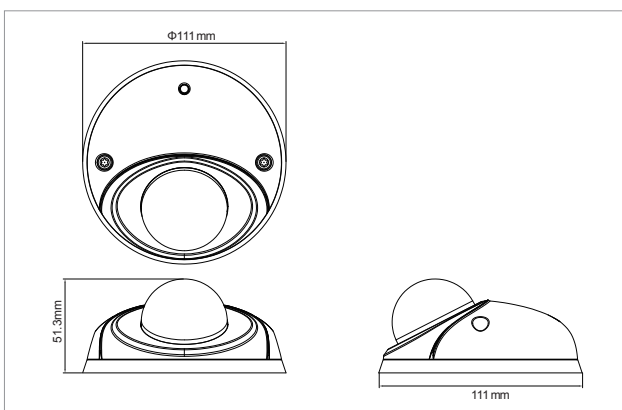
Video

Video Compression	H.264/M-JPEG
Video Streaming	Triple streaming H.264 Stream 1/H.264 Stream2/MJPEG Stream 3
Video Resolution	2048x1536 to 320x240
Video Quality	VBR/CBR
Frame Rate	2048x1536 @20 fps 1920x1080 @30 fps 1280x720 @30 fps 720x576 @30 fps 720x480 @30 fps 640x480 @30 fps 320x240 @30 fps

Audio

Audio Streaming	N/A
Audio Compression	N/A
Audio Input	N/A
Audio Output	N/A

Dimension Drawing



Network

Interface	10/100/1000 Mbps Ethernet, RJ-45
Supported Protocols	HTTP, TCP/IP, UDP, RTP, RTSP, FTP, SMTP, DHCP, DNS, DDNS, NTP, uPnP, ONVIF, IPv4/v6
Browser	Internet Explorer (support up to IE 10), Chrome, Firefox, Safari
Security	Multi-level passwords /HTTPS encryption

I/O Connector

Audio in/out Port	N/A
D I/O	N/A
RS485	N/A
Micro SD Card Slot	YES
RJ45	YES

Event Management

Event Trigger	Motion detection
Notifications	email/FTP and record video to server or SD card
Post Recording	YES
Pre Recording	YES

Power

DC/AC	N/A
PoE	YES/IEEE 802.3af

General

Power Consumption	6W max.
Weight	390g
Dimension	Φ 111mm x 51.3mm (H)
Operating Temp.	-40°C ~ 60°C/-40°F ~ 140°F
Humidity	90% RH (no condensation)
Certification	CE/FCC/EN50155
Vandal Resistant	IK10
Weather Proof	IP67
Application	SDK available for application development

Packaging Information

NWT	390g
GWT	650g
Dimension	202mm x 166mm x 92mm

Accessories (Optional)



Ordering Information

- NCm-301-V (P/N: 10H00030100X0)
- NCm-301-VM (P/N: 10H00030102X0) (M12 Connector)