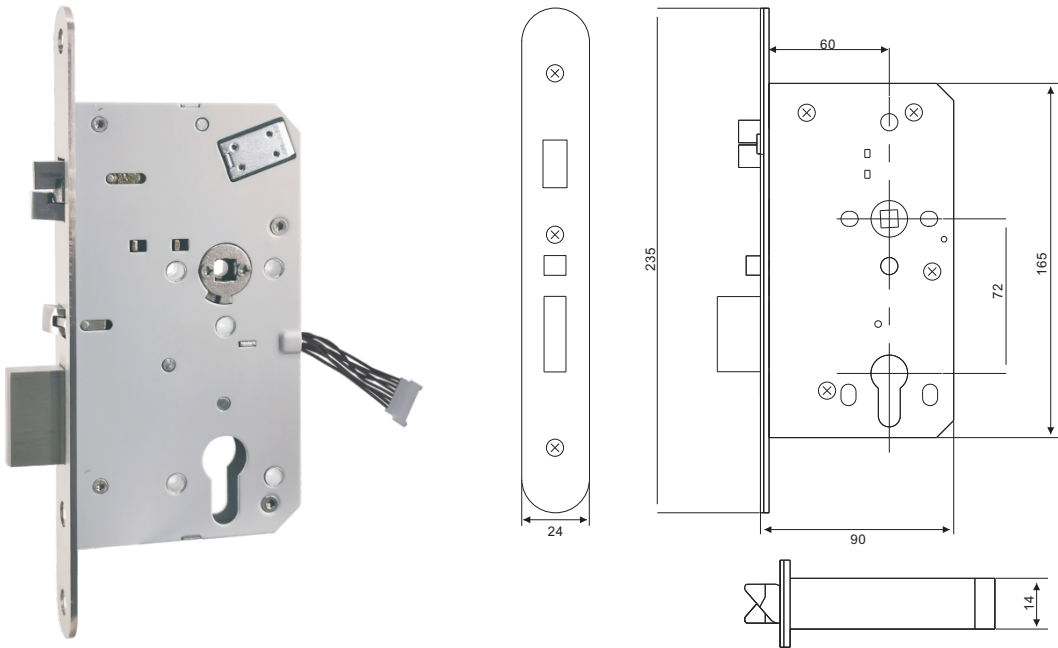


72-55/60/65TD(Solenoid driving)
 72-60TD-S24-FA01-S/T(spindle)-EL/EU-ALM-DM-HD-KO
 (switches)-SSS(finish)-304/316(material)



1. Automatic deadbolt locking.
2. Bolt projection, one throw, 20mm
3. No handed
4. Free wheel, clutch design
5. Suitable for access control system



Certificate(Pending):
 EN12209-2016: 3X9-0G20
 EN179: 376B1342AB
 EN1125: 376B1321AA
 EN1634-1: fire rated 4 hours
 EN14846: 3S8D-L611
 EN61000-6-1, EN61000-6-3

Voltage	12V DC, 24V DC or 12-24V DC optional operating voltage
Current	300mA/150mA
Monitoring	Key override(KO)
	Auxiliary latch(ALM)
	Dead bolt(DM)
	Handle down(HD)
S : Split spindle;T : Through spindle	
Fail secure/Fail safe	
Environment	Operational temperature range -20°C to +60°C
Backset	55/60/65mm
Distance	72mm
Door thickness	Standard applications 35 to 64mm
Door Clearance	3-6.5mm
None handed	
Cylinder	Standard European profile cylinders
Furniture	Compatible with Camax series door furniture
Standard Finishes	Satin finish