

FIREMASTER® CLEANROOM

ACTIVE FIRE CURTAIN FOR CLEANROOMS
TECHNICAL BROCHURE

WWW.COOPERSFIRE.COM



E120 (INTEGRITY)
EW120 (HEAT RADIATION)

BS EN 1634-1:2014
EN ISO 14644-1 (CLASS ISO 6)



A REVOLUTIONARY
FIRE PROTECTION
PRODUCT THAT ALLOWS
FOR OPEN PLAN
CLEANROOMS



LEADING THE WAY IN FIRE PROTECTION

The **FireMaster Cleanroom fire curtain** is the world's first active fire curtain certified as suitable for all types of cleanroom environments in a variety of industries such as pharmaceutical, microelectronics, aerospace, medical and telecoms.

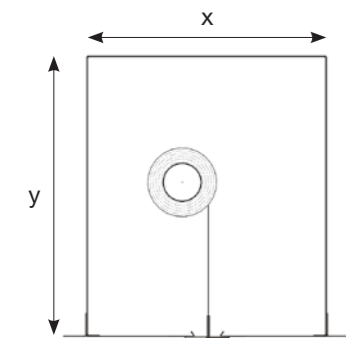
The FireMaster Cleanroom is **fire resistant for 2 hours** and certified as suitable for use in cleanrooms fulfilling the specifications of **Air Cleanliness Class 6**, according to ISO 14644-1.

The FireMaster Cleanroom is manufactured from 316L grade stainless steel suitable for use in a cleanroom environment. The FireMaster Cleanroom features a stainless steel curtain that does not release particles in operation and features side guides that can be manually opened and closed for cleaning.

BENEFITS

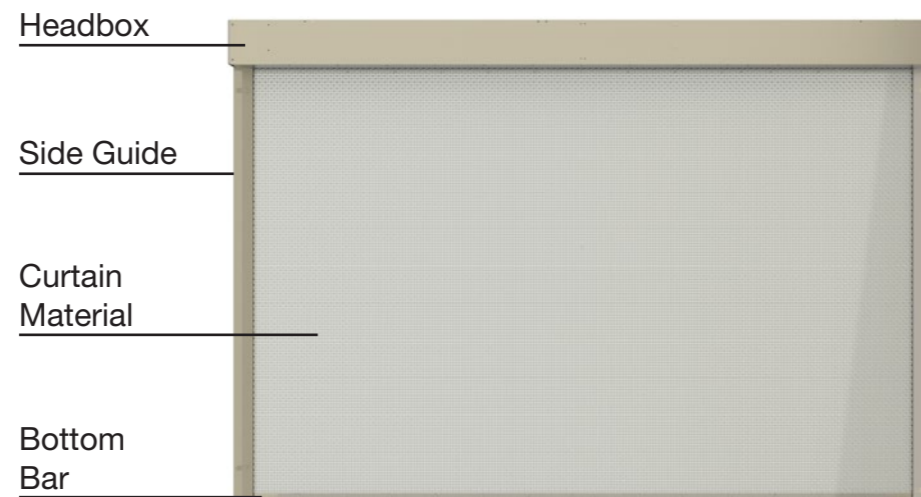
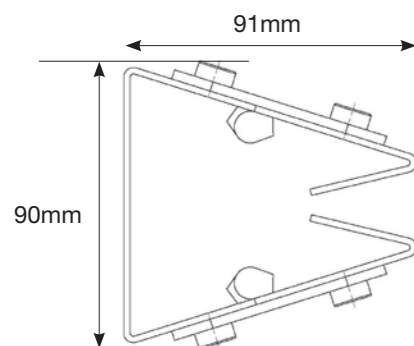
- Certified for use in cleanroom environments
- Replace fire rated walls and doors allowing for open plan designs
- Protect non-fire rated walls and glazing and openings in walls
- Suitable for all cleanrooms up to ISO 6, Class 1,000 classification
- Fire resistance for up to 2 hours
- Manufactured from materials resistant to harsh cleanroom cleaning chemicals
- Out of room controls and accessories
- Retrofit or new build installations
- Easily cleaned

HEADBOX



Headbox sizes can vary
Please speak to Coopers Fire for dimensions

SIDE GUIDE



A FIRE CURTAIN CERTIFIED FOR USE IN CLEANROOM ENVIRONMENTS THAT CAN BE EASILY CLEANED AND PREVENT THE SPREAD OF FIRE

TESTED TO

BS EN 1634-1:2014
EN ISO 14644-1 (AIR CLEANLINESS CLASS 6)

CERTIFICATION

Warrington's Certification Certifire Scheme

certifire

DIMENSIONS

APPROVED TO
2.6m width, heights up to 2.8m (structural opening)
(Increased sizes possible under assessment)

CLASSIFICATION

FIRE (BS EN 13501-2:2007+A1:2009)
• Integrity: E120
• Radiation: EW120

Cleanrooms can be very large and entire manufacturing facilities can be contained within a cleanroom with factory floors covering thousands of square meters that are very sensitive to environmental contamination but still require fire compartmentation.

The FireMaster Cleanroom features a fabric suitable for ISO Class 6 or above applications whilst in operation and due to its unique design features it can be fully deep cleaned whilst in situ in accordance with ISO 2812 (Paints and varnishes - Determination of resistance to liquids).



APPLICATIONS

- Provides time for people to escape
- Protects escape routes
- Door replacement
- Protecting non fire rated walls and glass
- Protects property and equipment
- External boundary protection
- Protection to equipment passing through compartment floors
- Enables open plan manufacturing where maximum compartment size exceeds optimal facility layout
- Enables in process materials or products to be staged in open plan circulation space



For use in Cleanrooms fulfilling the specifications of **Air Cleanliness Class 6** according to ISO 14644-1.

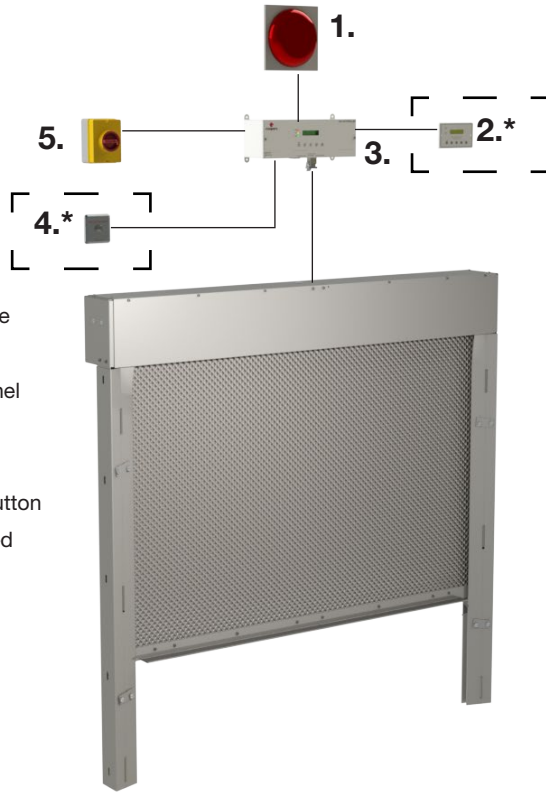


The chemical resistance of the **Stainless Steel Curtain** according to ISO 4628-1.



The chemical resistance of the **Stainless Steel Structure (headbox and side guides)** according to ISO 4628-1.

CONTROLS

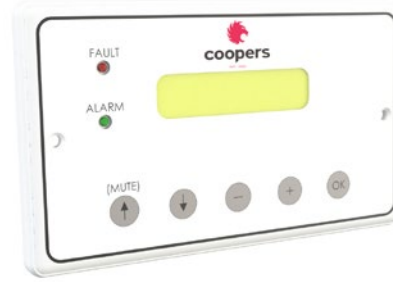


- 1. Fire Alarm
(Normally closed, volt-free contacts)
- 2.* Additional Control Panel
(if required)
- 3. Mono Control Unit
- 4.* Emergency Retract Button
- 5. 230Vac 50Hz Dedicated Supply

* Controls are inside the cleanroom

Note: If controls are to be placed inside the cleanroom environment, please contact Coopers Fire

Additional Control Panel



PRODUCT FEATURES

- Low power consumption
- Small, compact enclosure
- Complete “plug and play” wiring and terminations, simple to connect
- 24Vdc motors with internal electromagnetic brakes as standard
- Motor protected from short circuits or open circuits
- Adjustable battery backup
- Optional extras available e.g. emergency retract button or visual/audio warnings

The Mono Control Unit is a compact single curtain controller with a complete range of incorporated ancillary control options. The system is completely ‘plug and play’, which means all wiring terminations can be connected quickly and efficiently, reducing installation times and complexity. The system also incorporates a ‘self-test’ facility, enabling the system to monitor its performance and maintaining a safe system.



certifire



Email: info@coopersfire.com
WWW.COOPERSFIRE.COM

Coopers Fire Ltd,
 Edward House, Penner Road,
 Havant, Hampshire, PO9 1QZ
 United Kingdom

Coopers Fire Ltd has a policy of continuous product improvement.

As such we reserve the right to change design and specifications without prior notice.

© Coopers Fire Ltd. All content and products are copyright of Coopers Fire Ltd. Registered in England Number: 2010274. Multiple patents granted and pending.

Phone: +44 (0)2392 454 405
 Email: info@coopersfire.com
 Web: www.coopersfire.com

Please check our website for the latest information.

v02 March 2019

