



IndigoVision



Thermal Bullet Camera

High-end: performance, not price tag.

Together with Thermal Technology, the BX Thermal Bullet Camera is the perfect solution for dark, long range monitoring applications. You also get maximum reliability, and the other significant benefits of IndigoVision's Distributed Network Architecture. The BX Thermal Bullet Camera delivers a different dimension of safety when combined with IndigoVision's Control Center.

Key Features

COMPRESSION

- H.264
- UP TO 30fps
- G.711
- AAC

INTELLIGENCE

- Analytics
- Motion Detection

OTHER

- DNA
- PoE
- ONVIF
- CyberVigilant®

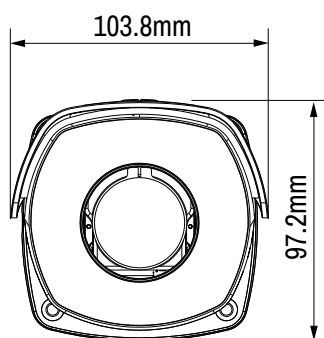
PHYSICAL

- Outdoor
- Low Temp
- IK10

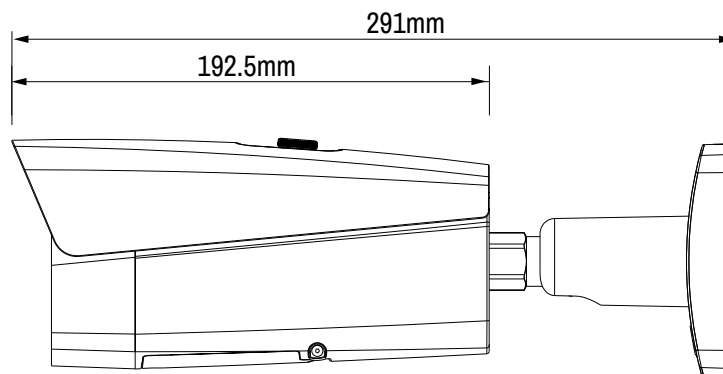
Product Codes

BX620 Thermal Bullet Camera	Product Code
BX620 400NT Thermal Bullet 7.5mm	619681
BX620 400NT Thermal Bullet 19mm	619683
BX620 400NT Thermal Bullet 35mm	619685

Dimensions



View on Front Face



View on Side Face

Specification

Camera Features	7.5mm	19mm	35mm
Sensor	400 x 300 VOx Uncooled Thermal Sensor Technology		
Active Pixels (HxV)	400 x 300		
Pixel Size	17µm		
Thermal Sensitivity	<40mK@f/1.0		
Spectral Range	7~14µm		
Video Resolution	Main Stream: 1280 x 720 pixels (scaled from native sensor resolution) Sub Stream: 640 x 512 pixels (scaled from native sensor resolution)		
Lens Options	Focal Length: 7.5mm Angle of View: 52°x40°	Focal Length: 19mm Angle of View: 20.4°x15.3°	Focal Length: 35mm Angle of View: 10.4°x8.3°
Effective Distance* Man (1.8m x 0.5m)	D: 240m R: 60m I: 30m	D: 640m R: 160m I: 80m	D: 1300m R: 320m I: 160m
Effective Distance Vehicle (2.3m x 2.3m)	D: 720m R: 180m I: 90m	D: 2000m R: 500m I: 250m	D: 4000m R: 1000m I: 500m
Color Palettes	14 (White Hot/Black Hot/Fusion/Rainbow/Globlow/Ironbow 1/Ironbow 2/Sepia/Colour 1/Colour 2/Ice Fire/Rain/Red Hot/Green Hot)		
Video Compression	Full frame rate, H.264/MJPEG; up to 30fps		
Video Bit Rate	User-configurable bit rates from 64Kbps up to 8Mbps		
Privacy Zones	4 User Defined		
Video Multi-Streaming	Up to 32Mbps total video output; Unlimited multicast connections; Up to four 8Mbps unicast connections		
Video Multi-Encoder	Up to two simultaneous resolutions		
Thermal Analytics	Heat Detection, Hottest & Coldest point on-screen display (OSD)		
Video Analytics	Motion Detection, Tripwire, Intrusion, Abandoned Object, Missing Object, Audio Intensity High, Audio Input Abnormal		
Audio Compression	G.711Mu, AAC		
Audio Bit Rate	32Kbps per channel		
Audio Resolution	Audio bit rate is 8 KHz for G.711Mu and AAC is configurable with options 8, 16, 32 and 48 KHz		
Audio Analytics	Audio Detection		
Audio Input	Line in, 3.5mm Connector, Mono		
Audio Output	Line Out, 3.5mm Connector, Mono		
Binary Input/Output	2 Pull up inputs for non powered contacts; 1 Solid state open collector output, 30V DC / 21VAC, 500mA		
Network Interface	IEEE802.3 and IETF standards: 10/100 Base-T Ethernet, IPv4/ IPv6, HTTP, HTTPS, TCP/IP, UDP, UPnP, ICMP, IGMP, SNMP, RTSP, RTP, SMTP, NTP, DHCP, DNS, PPPoE, DDNS, QoS, Bonjour, 802.1x		
Network Security	HTTPS, IP Filter, IEEE 802.1x		
CyberVigilant® Technology	Yes		
Time	Embedded real-time clock, NTP client		
SD Storage	microSDHC up to 128GB support (card not included)**		
Dimension/Weight	291mm (d) x 103.8mm (w) x 97.2mm (h) and 1.9Kg		
Regulatory	EN 55032, EN 61000-3-2:2014, EN 61000-3-3:, EN 55024+A1, EN 50130-4+A1, FCC Part 15 Subpart B, UL60950-1, EN 60068-2-1:2007, EN 60068-2-2:2007, EN 60068-2-30, EN 60068-2-6, EN 60068-2-64, EN 60068-2-27, EN 60529, EN 62262		
Housing	White vandal resistant aluminium alloy with polycarbonate sun shade including 420mm cable bundle		
Protection Rating	IP67, IK10		
Electrical	PoE (802.3af Class 0) or 12V DC / 24V AC; >13W		
Operating Temperature	-40°C to 60°C		
Cold Start	-20°C		
IndigoVision Software Requirements	Control Center v15.2 or later		
Supported Internet Browsers	Internet Explorer v11.0 or later		
ONVIF	Profile S		

* Effective distance values shown are nominal values and should be used as estimates only. Exact value calculations depend on a wide variety of conditions. D:Detection, R: Recognition, I : Identification.

**SDCard Storage independent of IndigoVision's NVRs. Note: Specifications are correct at the datasheet date of issue and are subject to change without prior notice.