

ET2-0500-M12-67

5-Port M12 Industrial IP67 Waterproof Fast Ethernet Switch

-5*10/100Tx with M12-connector, 12-48VDC Power Inputs



Feature



M12

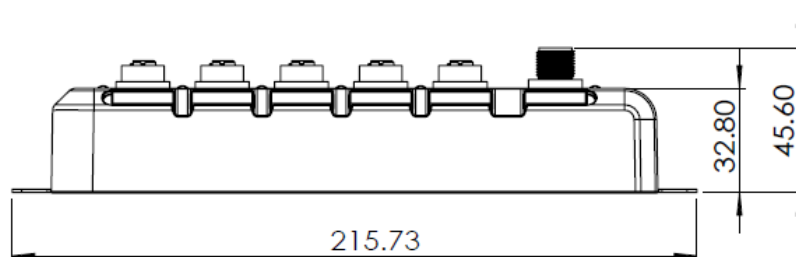
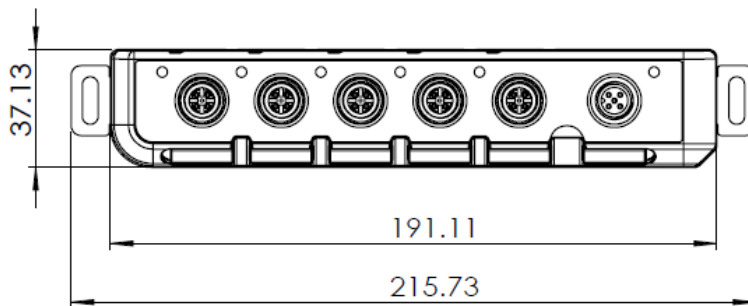


IP67

- 5-port 10/100Tx Fast Ethernet
- M12 connector with IP67 rated protection
- Redundant Power Inputs Design, 12-48VDC
- IP67 Rugged Plastic Case Design
- DIN-Rail Mounting, Wall Mounting
- Operating Temperature Range - STD: -10°C ~ 65°C, EOT: -40°C ~ 75°C



Dimensions (unit = mm)



Specifications

Technology

Standards	IEEE 802.3 10BaseT Ethernet IEEE 802.3u 100BaseTX Fast Ethernet
Processing Type	Store and Forward
Protocol	CSMA/CD
Flow Control	IEEE 802.3x flow control, back pressure flow control

Switch Properties

Switch Architecture	Back-Plane: Non-Blocking Switching Fabric
Transfer Rate	14,880pps for Ethernet Port 148,800pps for Fast Ethernet Port
Memory Buffer	448Kbits
MAC Table size	1K

Interface

Ethernet Ports	5*10/100BaseT(X) M12, 4-Pin D-coded, Female, with auto negotiation speed, Full/Half duplex mode, and auto MDI/MDI-X connection
LED Indicators	Power, Ethernet Ports: On-Link/Flash-data transmitting

Power Requirements

Input Voltage	12-48VDC, Redundant Inputs
Overload Current Protection	Present(Slow-Blow Fuse)
Power Connection	1 * M12, 5-Pin A-coded, Male
Reverse Polarity Protection	Present
Power Consumption	500mWatts for System

Mechanical Characteristics

Housing	Plastic, IP67 protection
Dimensions	37.13 x 215.73 x 32.8 mm (W x H x D)
Weight	Unit Weight: 0.4kg, Shipping Weight: 0.5kg
Mounting	DIN-Rail Mounting, Wall Mounting

Environmental Limits

Operating Temperature	STD: -10°C ~ 65°C (14°F ~ 149°F); EOT: -40°C ~ 75°C (-40°F ~ 167°F)
Storage Temperature	-40°C ~ 85°C (-40°F ~ 185°F)
Ambient Relative Humidity	5 to 95%, (non-condensing)

Regulatory Approvals

EMI	FCC Part 15 Subpart B Class A, CE EN 55032 Class A, EN 61000-6-4 Class A
EMS	CE EN 55024 Class A, EN 61000-6-2 Class A, IEC61000-4-2 (ESD), IEC61000-4-3 (RS), IEC61000-4-4 (EFT), IEC61000-4-5 (Surge), IEC61000-4-6 (CS), IEC61000-4-8 (Magnetic Field)
Free Fall	IEC60068-2-32
Shock	IEC60068-2-27
Vibration	IEC60068-2-6
Green	RoHS Compliant
Warranty	5 Years

Due to continuous improvement, all product specifications are subject to change without further notice.

Ordering Information

ET2-0500-M12-67	5-Port M12 Industrial IP67 Waterproof Fast Ethernet Switch - 5*10/100Tx
ET2-0500-M12-T67	5-Port M12 Industrial IP67 Waterproof Fast Ethernet Switch - 5*10/100Tx, Extended Operating Temperature: -40°C to 75°C

Optional Accessories

HDR-30-24	30W Industrial Din Rail Power Supply, 24VDC
HDR-60-24	60W Industrial Din Rail Power Supply, 24VDC
EDR-75-48	75W Industrial Din Rail Power Supply, 48VDC