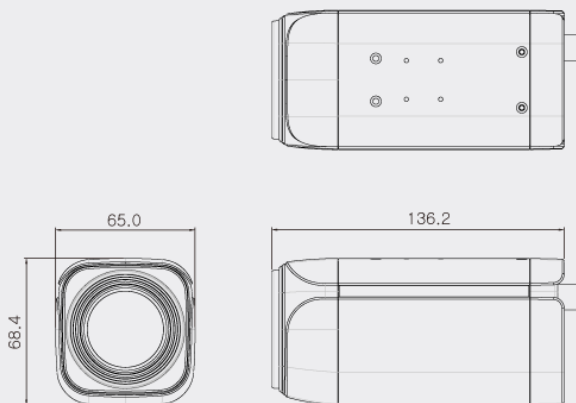




### Features

- 1/4 inch IT CCD
- High Resolution : 540 TV Lines
- Built-in Auto Iris / Auto Focus
- **36x Optical Power Zoom Lens**
- 12x Digital Zoom (Max. 432x)
- TDN(ICR), Digital Slow Shutter (DSS)
- 3D-DNR, OSD, Stabilizer
- Privacy Zone, Motion Detection, Eclipse, D-Effect
- Video Transmission Distance Adjustable(3 Steps)
- RS-485 Interface (Pelco-D)/PTZ Controller Interface
- 12VDC

### DIMENSIONS



### SPECIFICATIONS

Model	ZBB-20Z36F	ZBB-21Z36F
Signal System	NTSC	PAL
Scanning Frequency (H)/V)	15.734 KHz / 59.94 Hz	15.625 KHz / 50 Hz
Scanning System	2:1 Interlace	
Image Sensor	1/4 Inch IT CCD	
Total Pixels	811(H) x 508(V) 410K	795(H) x 596(V) 470K
Effective Pixels	768(H) x 494(V) 380K	752(H) x 582(V) 440K
Sync. System	Internal / External (Line Lock) : Auto Detect	
Horizontal Resolution	540 TV Lines (BW 600 TV Lines)	
Signal Output	1.0Vp-p (75Ω, Composite)	
S/N Ratio	More than 52dB (AGC Off)	
Lens	36x Zoom Video AF (f=3.43~120mm, F1.6(W)-F4.5(T))	
Digital Zoom Ratio	12x Digital Zoom	
Focus Mode	Auto/Manual	
Day & Night Type	Electronic Sensitivity-up (DSS), ICR(AGC type)	
Digital Slow Shutter	Off/2FLD~128FLD Mode	
3D-DNR	On/Off (0~63)	
Min. Illumination	Day Mode: 0.05Lux / Night Mode: 0.0002Lux (DSS On, 128FLD)	
White Balance	AWB/ATW/PUSH/MANUAL/INDOOR/OUTDOOR	
AGC	Off/High/Middle/Low/Manual	
WDR	W-Front/W-Center/W-Rear/W-User	
OSD	English	
D-Effect	Mirror / V-flip / Rotate	
Privacy Zone	On/Off (8 Zone)	
Motion Detection	On/Off (4 Zone)	
Electronic Shutter Speed	1/60 ~ 1/10,000 sec	1/50 ~ 1/10,000 sec
Camera Control	Rear Button, RS485 (Pelco-D/P, CNB, SONY-VISCA)	
Supplied Voltage	DC 12V (±20%), Max. 6W/500mA	
Dimensions	65 x 68.4 x 136.2 mm	
Weight	Approx. 325g	