

STI StopperSwitches®

Indoor Push Buttons



STANDARD MODELS:

Access Control Buttons:

SS3-7G14 - White Housing, Green Button, Momentary, DPC
SS3-3W14 - Green Housing, White Button, Momentary, DPC

Pneumatic Access Control Buttons:

SS3-7G60 - White Housing, Green Button, Pneumatic, SPC
SS3-3W60 - Green Housing, White Button, Pneumatic, SPC

Emergency Power Off Buttons:

SS3-5R04 - Yellow Housing, Red Button, Key to Reset, DPC
SS3-5Y04 - Yellow Housing, Yellow Button, Key to Reset, DPC

Emergency/Evacuate Buttons:

SS3-7B04 - White Housing, Blue Button, Key to Reset, DPC
SS3-9W04 - Blue Housing, White Button, Key to Reset, DPC

Panic/Isolate Buttons:

SS3-1W04 - Red Housing, White Button, Key to Reset, DPC
SS3-7R04 - White Housing, Red Button, Key to Reset, DPC

Smoke Vent Buttons:

SS3-EW04 - Orange Housing, White Button, Key to Reset, DPC
SS3-EE04 - Orange Housing, Orange Button, Key to Reset, DPC

BUILD YOUR OWN MODELS:

For all available models please refer to BUILD YOUR OWN MODEL on reverse. Any non-standard models will require longer lead times. For further information on any of the StopperSwitch models, please contact Sales on +44 (0)1527 520 999.

PRODUCT OVERVIEW

A highly versatile range of attractive indoor Push Buttons combining unique design, quality and value. These aesthetically appealing, low/high voltage switches fit any standard UK-type switch socket box, and are quick and easy to install.

Dual Mount

Designed to fit either flush or surface installations (35mm black surface back box and flush mounting plate included).

- **StopperLatch – Key-to-Reset** - Models are for applications where repeat activation must be controlled. Once the switch has been manually activated, it can only be reset by inserting a special key.
- **StopperPush – Momentary** - Models are for applications where momentary push and release activation is desired.
- **StopperLatch – Pneumatic** - Models are for applications where momentary push and release is required, with a holding signal timer. Pneumatic adjustable timer opens or closes a circuit and has a timed delay before reset. No electricity to operate.

All models are available in a variety of colours with space for function marking or operating instructions. A number of standard models are available for quick delivery but enquiries for custom models are welcomed.

It is advisable to protect your StopperSwitches with an STI Euro Stopper®. The protective cover consists of a tough polycarbonate material and is available with or without integral sounder. The cover adds an extra measure of protection against damage and accidental activation.

KEY FEATURES

General Information

- Highly versatile range of attractive Push Buttons combining unique design, quality and value.
- One year guarantee on electromechanical and electronic components.

Design

- Inset design on the push button helps prevent accidental activation.

Construction

- Extremely attractive, high value look and feel: space available for function marking and operating instructions.

Installation

- Supplied as a Dual Mount (35mm Back Box is included with all models) to allow the user the choice of flush or surface installation.
- Operating temperature -20°C (-4°F) to 65°C (149°F).

Electronics

- Wide range of operating voltages up to 250 volts AC 6 Amps: Rated 3A, (12-24 VDC) & 6A, (125 250 VAC).

Options

- Other models available - KeySwitches and Waterproof Push Button.
- Low profile, heavy-duty terminations - available in SPC & DPC arrangements.
- It is advised to protect the Push Button with an STI Protective Cover.

STI StopperSwitches - Indoor Push Buttons

Dimensions and Technical Information

BUILD YOUR OWN MODEL

SS3- - - - -

Prefix Options:
SS3 = StopperSwitch

Housing Colour & Mounting Options:
1 = Red - Dual Mount (includes 35mm back box)
3 = Green - Dual Mount (includes 35mm back box)
5 = Yellow - Dual Mount (includes 35mm back box)
7 = White - Dual Mount (includes 35mm back box)
9 = Blue - Dual Mount (includes 35mm back box)
E = Orange - Dual Mount (includes 35mm back box)

Button Colour:
R = Red
G = Green
Y = Yellow
W = White
B = Blue
E = Orange
NB: Please see Button Colour Conditionals below.

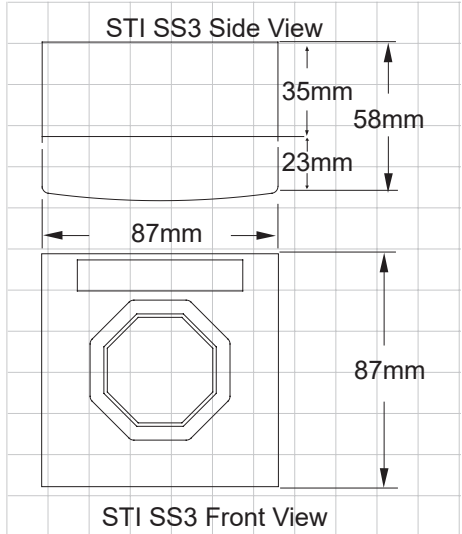
Button Type Options:
0 = Latching (Key-to-Reset)
1 = Momentary
6 = Pneumatic

Electrical Arrangement Options:
0 = Pneumatic only - Single Pole Changeover
4 = Key-to-Reset and Momentary only - Multi-Function Signal (SPC & DPC)
NB: Please see Electrical Conditionals below.

Label Options:
For 'Standard Function Marking' no additional coding is required. Affix required text upon installation. Standard Function Marking Labels (black or white: depending on colour housing selected) include:
- EMERGENCY - ISOLATE
- EMERGENCY POWER OFF - PANIC ALARM
- EMERGENCY STOP - POOL ALARM
- EVACUATE - PRESS TO EXIT
- EXIT - SHUT DOWN
- GAS SHUT OFF - SMOKE VENT

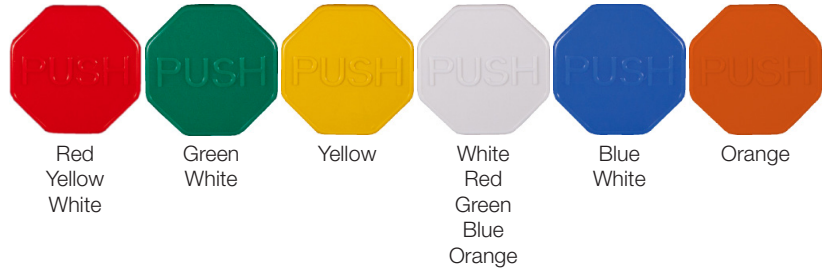
For Custom Label, add **-CL** to Product Code.
Maximum 20 characters including spacing (1 line)

Push Button Models: Technical Specifications	
Current Carrying Capacity (non switching)	3A 12-24V DC / 6A 125-250V AC
Electrical Contact Material	Silver plated brass
Housing & Back Box Material	Polycarbonate
Terminal Conductor Size	0.5mm - 2.5mm
Operating Temperature	-20°C to 65°C (-4°F to 149°F)
Mounting	Dual Mount (for Flush and Surface)



Button Colour Conditionals:

Button colour and available Housing colours



Electrical Arrangement Conditionals:

0 **Single Pole Changeover:**
Available for Pneumatic Push Buttons only.

4 **Multi-Function Signal:**
Available for Key-to-Reset and Momentary Models only.
Can achieve Single Pole Changeover and Double Pole Changeover.

Cover Options:
PLEASE NOTE: Covers are ordered separately.
Other covers are available.

Integral Cover
Designed to fit directly to the cover of the button, preventing accidental activation.

Call Point Stopper[®]
Designed to retrofit over MCP's and buttons, preventing accidental activation.

Euro Stopper[®]
Designed to retrofit over MCP's and buttons, preventing both accidental or malicious activation, available with or without an integral alarm.

Universal Stopper[®]
Indoor and outdoor dome covers designed to retrofit over MCP's and emergency push buttons. Available with or without an integral sounder.

Safety Technology International

Taylor House
34 Sherwood Road
Bromsgrove
Worcestershire
B60 3DR, England

Tel: +44 (0)1527 520 999
Fax: +44 (0)1527 501 999
info@sti-emea.com
www.sti-emea.com

2306 Airport Road
Waterford, Michigan
48327, USA

Tel: 248-673-9898
Fax: 248-673-1246
Toll-free: 0800-888-4784
info@sti-usa.com
www.sti-usa.com